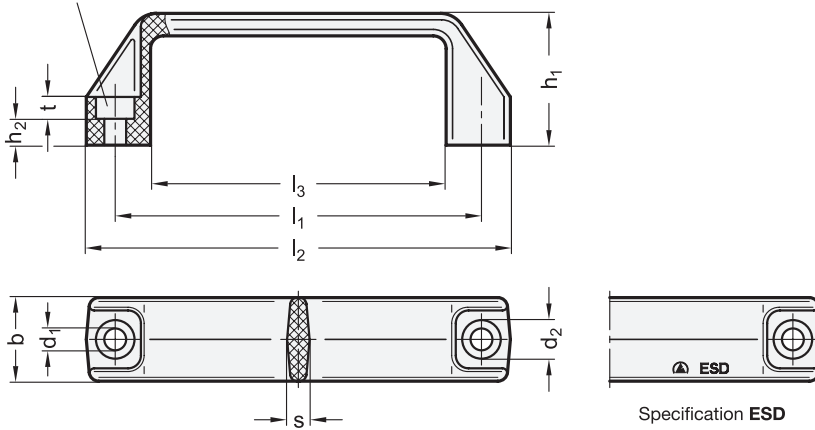


Bore for socket cap screw 1/4" / 5/16" / 3/8" or ISO 4762-M6 / M8 / M10



Metric



elesa
Original design M.443



Specification ESD

Specification



Plastic, Polyamide (PA)	PA	
<ul style="list-style-type: none"> Glass fiber reinforced Operating temperature -22 °F to +266 °F (-30 °C to +130 °C) Color <ul style="list-style-type: none"> - Black, RAL 9005, matte finish ● SW - Orange, RAL 2004, matte finish ● OR - Gray, RAL 7031, matte finish ● GR - Red, RAL 3000, matte finish ● RT - Green, RAL 6017, matte finish ● GN 		
Plastic, Polypropylene (PP)	PP	
<ul style="list-style-type: none"> Glass fiber reinforced Operating temperature -4 °F to +212 °F (-20 °C to +100 °C) Black, RAL 9005, matte finish ● SW 		
Plastic, Polyamide (PA)	SV	
<ul style="list-style-type: none"> Glass fiber reinforced Operating temperature -22 °F to +302 (-30 °C to +150 °C) Black, RAL 9005, matte finish ● SW 		
Plastic, Polyamide (PA)	ESD	
<ul style="list-style-type: none"> Antistatic Glass fiber reinforced Operating temperature -22 °F to +266 (-30 °C to +130 °C) Black, RAL 9005, matte finish ● SW 		

RoHS

On request

- Various metric and inch size fasteners and kit packaging

Cabinet U-handles EN 528 are assembled to drawers / doors from the outside using cap screws.

Cabinet U- handles, type PP (Polypropylene) are, however, less viable from a mechanical and thermal standpoint, but price wise they are more economical and are quite adequate for many applications.

Cabinet U-handles, type SV are made of a UL 94 V-0 plastic material which is self-extinguishing. The classification to UL 94 V-0 (Underwriters Laboratories) covers the properties and durability against fire. According to their tests a plastic test piece of a defined shape and dimension is set on fire in a vertical position whereby the flame on a scale from V – 0 has to extinguish itself within 10 seconds without leaving any burning droplets.

Cabinet U-handles, type ESD are made from a conductive plastic material which prevents electrostatic loading. The imprint „ESD“ on the surface of the handle defines the special antistatic properties according to IEC 61340-5-1.

see also...

	Page
GN 728 Economical Cabinet U-Handles (Aluminum, Mounting from the Back or the Operator's Side)	QVX
GN 728.5 Economical Cabinet U-Handles (Stainless Steel, Mounting from the Back or the Operator's Side)	QVX

Technical Information

Strength Values	QVX
Plastic Characteristics	QVX

How to order

1 2 3 4
EN 528-PA-117-6.5-SW

1	Material
2	Length l ₁
3	Bore d ₁
4	Color

Metric table

2

3

Dimensions in: millimeters / inches

l ₁	d ₁			b	d ₂	h ₁	h ₂	l ₂	l ₃	s	t
	PA / PP	SV	ESD								
94 -1 3.70 ±0.04	6.5 0.26	6.5 0.26	6.5 0.26	21 0.83	10.5 0.41	38 1.50	6 0.24	109 4.29	74 2.91	6 0.24	7 0.28
117 ±1 4.61 ±0.04	6.5 0.26	6.5 0.26	-	26 1.02	10.5 0.41	41 1.61	9 0.35	137 5.39	93 3.66	7 0.28	6 0.24
117 ±1 4.61 ±0.04	8.5 0.33	8.5 0.33	8.5 0.33	26 1.02	13.5 0.53	41 1.61	6.5 0.26	137 5.39	93 3.66	7 0.28	8.5 0.33
122 ±1 4.80 ±0.04	8.5 0.33	-	-	26 1.02	13.5 0.53	41 1.61	6.5 0.26	142 5.59	100 3.94	7 0.28	8.5 0.33
132 ±1 5.20 ±0.04	8.5 0.33	8.5 0.33	-	27 1.06	13.5 0.53	45 1.77	7.5 0.30	150 5.91	108 4.25	7 0.28	8.5 0.33
140 ±1 5.51 ±0.04	8.5 0.33	-	-	27 1.06	13.5 0.53	46 1.81	7.5 0.30	160 6.30	113 4.45	7 0.28	8.5 0.33
160 ±1 6.30 ±0.04	8.5 0.33	-	-	28 1.10	13.5 0.53	50 1.97	7.5 0.30	179 7.05	132 5.20	7.5 0.30	8.5 0.33
179 ±1 7.05 ±0.04	8.5 0.33	8.5 0.33	-	28 1.10	13.5 0.53	50 1.97	8.5 0.33	196 7.72	151 5.94	7.5 0.30	8.5 0.33
235 ±1 9.25 ±0.04	10.5 0.41	-	-	30 1.18	16.5 0.65	54 2.13	9.5 0.37	260 10.24	201 7.91	8.5 0.33	10.5 0.41

1.1

1.2

1.3

1.4

2.1

2.2

2.3

2.4

