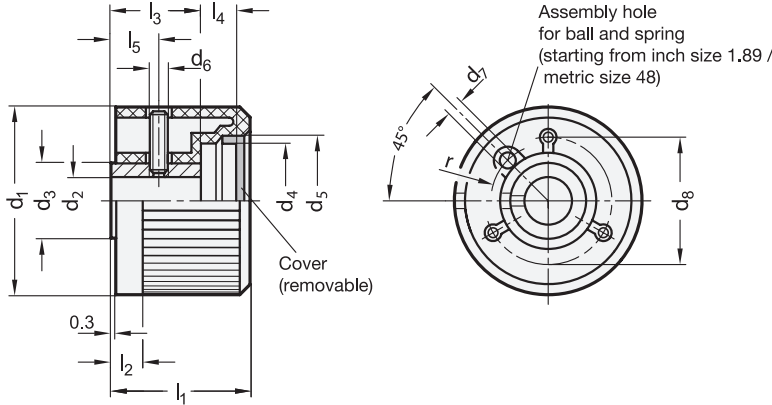


Metric



**elesa**  
Original design IZN.381

Metric table

1		2		Dimensions in: millimeters / inches												
d <sub>1</sub>		d <sub>2</sub> H7 Bore			d <sub>3</sub>	d <sub>4</sub>	d <sub>5</sub>	d <sub>6</sub>	d <sub>7</sub>	d <sub>8</sub>	l <sub>1</sub>	l <sub>2</sub>	l <sub>3</sub>	l <sub>4</sub>	l <sub>5</sub>	r
Nominal dimension	Actual dimension								P.C.D. Ø							
32	32	B 6	-	-	15	19.5	21.5	M 4	-	19	26.5	5	16	6.5	9	-
1.26	1.26				0.59	0.77	0.85			0.75	1.04	0.20	0.63	0.26	0.35	
42	42	B 8	-	-	18	29.5	31	M 5	-	28	32	7	17.5	11.5	10.5	-
1.65	1.65				0.71	1.16	1.22			1.10	1.26	0.28	0.69	0.45	0.41	
48	48	B 8	-	-	22	33	34.5	M 5	3	31.6	35.5	8	22	8.5	14	14
1.89	1.89				0.87	1.30	1.36		0.12	1.24	1.40	0.31	0.87	0.33	0.55	0.55
52	52	B 10	B 12	-	22	37.5	39	M 5	4	36.2	38.5	8.5	22	12	13.5	15.5
2.05	2.05				0.87	1.48	1.54		0.16	1.43	1.52	0.33	0.87	0.47	0.53	0.61
63	63.5	B 10	B 12	B 14	26	48	50.5	M 6	6	45.4	44.5	11	30	10.5	16	19
2.48	2.50				1.02	1.89	1.99		0.24	1.79	1.75	0.43	1.18	0.41	0.63	0.75

Specification

Knob

- Plastic, Polyamide (PA)
- Glass fiber reinforced
- Temperature resistant up to
- Operating temperature  
-22 °F to +266 °F (-30 °C to +100 °C)
- Black, shiny finish

Insert

Steel, blackened finish

Set screw

Steel, blackened finish

Cover cap

- Plastic, Polyacetal (POM)
- Black, RAL 9005, matte finish
- Orange, RAL 2004, matte finish
- Gray, RAL 7035, matte finish
- Yellow, RAL 1021, matte finish
- Blue, RAL 5024, matte finish
- Red, RAL 3000, matte finish
- Green, RAL 6017, matte finish

- **DSW**
- **DOR**
- **DGR**
- **DGB**
- **DBL**
- **DRT**
- **DGN**

RoHS

Knurled control knobs EN 526 have a colored cover that conceals protruding or recessed shafts and is suitable for imprinting characters or symbols, if desired.

For assembly, the cover can be pressed on by hand. Disassembly is done by applying light pressure on the edge of the cover.

The combination with scale rings EN 526.1 extends the application possibilities of the control knobs. The scale rings are fastened using the 3 bores on the pitch circle d<sub>8</sub>.

see also...

	Page
<b>GN 726</b> Knurled Control Knobs (Aluminum)	QVX
<b>GN 726.1</b> Knurled Control Knobs (Aluminum)	QVX

Technical Information

ISO Fundamental Tolerances	QVX
Plastic Characteristics	QVX

Accessory

<b>EN 526.1</b> Control Knob Flanges	QVX
<b>GN 826</b> Control Knob Flanges (for Adjustable Spindles)	QVX

How to order

**EN 526-42-B8-DGR**

1	Outside diameter d <sub>1</sub>
2	Bore d <sub>2</sub>
3	Color of the cover cap

1.1  
1.2  
1.3  
1.4  
2.1  
2.2  
2.3  
2.4

