

1.1
1.2
1.3
1.4
2.1
2.2
2.3
2.4

Inch | Metric



elesa
Original design VDT+IR

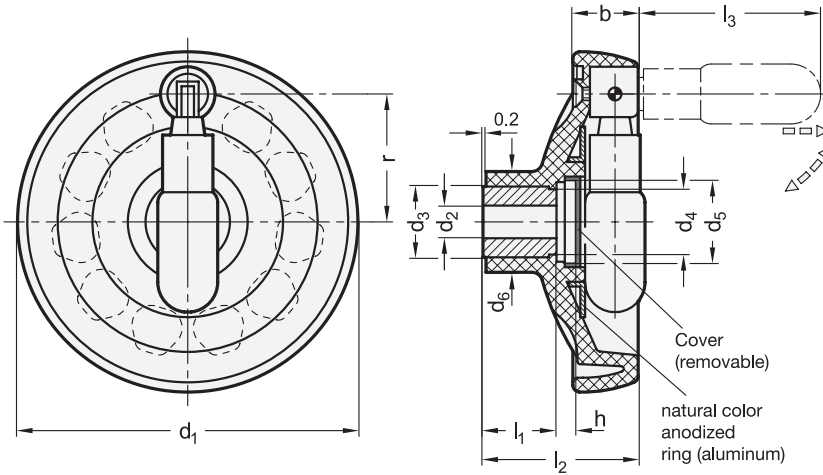


2 Bore code

B Without keyway

4 Type

D With revolving retractable handle



Specification

Body

- Plastic, Polyamide (PA)
- Glass fiber reinforced
- Operating temperature 32 °F to +176 °F (0 °C to +80 °C)
- Black, matte finish

Hub bushing

Steel, blackened finish

Cover

Plastic
Black, matte finish

Retractable handle

- Plastic, Polyamide (PA)
- Black, matte finish
- Retractable mechanism / Spindle Steel, blackened finish

RoHS

On request

- Other modifications such as special inch and metric bores, keyways, set screw holes, etc.

Disk handwheels with retractable handle EN 524.3 are renowned in particular for their design and the matt passivated aluminum ring.

The handle in these handwheels is locked in a conical bore in the operating position. For reversal, it must first be pulled from the cone in axial direction. A pressure spring holds the handle in both positions. When swung out, it automatically engages again.

The cover conceals clamping elements, e.g. countershaft pulleys, as well as protruding and recessed shafts. For mounting, the cover is pushed in by hand. For dismantling, the cover can be raised and taken off by applying moderate pressure in the rim of the cover.

see also...	Page
EN 521.3 Solid Disk Handwheels (Polypropylene)	QVX
EN 520.4 Solid Disk Handwheels (Phenolic Plastic)	QVX

Technical Information

Keyways WN 6885 / DIN 6885-1	QVX
Cross Holes GN 110	QVX
ISO Fundamental Tolerances	QVX
Plastic Characteristics	QVX

Accessory

GN 184 Countersunk Washers (for Axial Fixing)	QVX
---	-----

How to order (Inch)

EN 524.3-125-B3/8-D

- 1 Handwheel diameter d_1
- 2 Bore code
- 3 Bore diameter d_2
- 4 Type

How to order (Metric)

EN 524.3-125-B12-D

- 1 Handwheel diameter d_1
- 2 Bore code
- 3 Bore diameter d_2
- 4 Type

Inch table

Dimensions in: inches / millimeters

d₁	d₂ H7 Bore	d₃	d₄	d₅	d₆	b	h	l₁ -0.02	l₂-0.02	l₃	r	Ø Handle
3.94 100	3/8	0.87 22	0.79 20	0.98 25	1.26 32	0.87 22	0.22 5.5	0.87 22	1.93 49	2.36 60	1.46 37	0.71 18
4.92 125	3/8	1.02 26	0.94 24	1.14 29	1.46 37	0.98 25	0.28 7	1.06 27	2.28 58	2.56 65	1.85 47	0.87 22
6.30 160	1/2	1.38 35	1.30 33	1.46 37	1.81 46	1.06 27	0.43 11	1.10 28	2.52 64	3.15 80	2.44 62	0.94 24
7.87 200	5/8	1.57 40	1.50 38	1.91 48.5	2.01 51	1.18 30	0.35 9	1.22 31	2.64 67	3.54 90	3.07 78	0.98 25

Metric table

Dimensions in: millimeters / inches

d₁	d₂ H7 Bore	d₃	d₄	d₅	d₆	b	h	l₁ -0.5	l₂-0.5	l₃	r	Ø Handle
100 3.94	10	22 0.87	20 0.79	25 0.98	32 1.26	22 0.87	5.5 0.22	22 0.87	49 1.93	60 2.36	37 1.46	18 0.71
125 4.92	12	26 1.02	24 0.94	29 1.14	37 1.46	25 0.98	7 0.28	27 1.06	58 2.28	65 2.56	47 1.85	22 0.87
160 6.30	14	35 1.38	33 1.30	37 1.46	46 1.81	27 1.06	11 0.43	28 1.10	64 2.52	80 3.15	62 2.44	24 0.94
200 7.87	20	40 1.57	38 1.50	48.5 1.91	51 2.01	30 1.18	9 0.35	31 1.22	67 2.64	90 3.54	78 3.07	25 0.98