

1.1  
1.2  
1.3  
1.4  
2.1  
2.2  
2.3  
2.4

Inch | Metric



**elesa**  
Original design VDS+IR

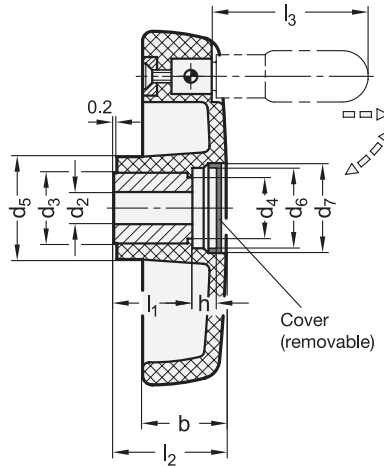
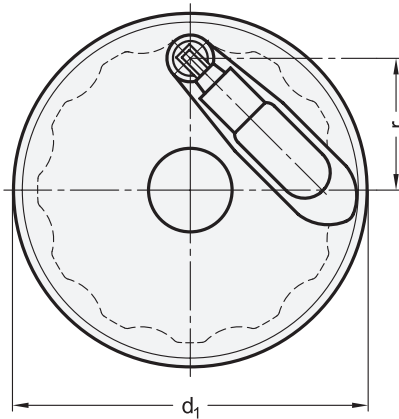


**2 Bore code**

**B** Without keyway

**4 Type**

**R** With revolving retractable handle



**Specification**

**Body**

- Plastic, Polypropylene (PP)
- High strength reinforced, shock-resistant
- Operating temperature +32 °F to +176 °F (0 °C to +80 °C)
- Black, matte finish

**Hub bushing**

Steel, blackened finish

**Cover**

- Plastic, black for  $d_1 = 80$  mm
- Plastic, light gray for  $d_1 \geq 100$  mm

**Retractable handle**

- Plastic, Polyamide (PA)
- Black, matte finish
- Retractable mechanism / Spindle
- Steel, blackened finish

**RoHS**

**On request**

- Other modifications such as special inch and metric bores, keyways, set screw holes, etc.
- With safety retractable handle
- Cover in other colors

Plastic solid disk handwheels EN 521.3 are designed for applications where it is necessary for the handle to return back to starting position after operation for safety reasons or lack of space.

These handwheels have the distinguishing features where the handle and the retracting mechanism are completely encased within the rim of the wheel. In the operating position, the handle is secured by a taper detent. To fold it down, it is drawn out from the tapered recess. A compression spring secures the handle in either position.

**see also...**

	<b>Page</b>
<b>EN 524.3</b> Solid Disk Handwheels (Polyamide)	QVX
<b>EN 520.4</b> Solid Disk Handwheels (Phenolic Plastic)	QVX
<b>EN 521.6</b> Solid Disk Handwheels (Polypropylene, Stainless Steel Retractable Mechanism)	QVX

**Technical Information**

Keyways WN 6885 / DIN 6885-1	QVX
Cross Holes GN 110	QVX
ISO Fundamental Tolerances	QVX
Plastic Characteristics	QVX

**Accessory**

<b>GN 184</b> Countersunk Washers (for Axial Fixing)	QVX
--	-----

How to order (Inch)

**EN 521.3-125-B3/8-R**

<b>1</b>	Handwheel diameter $d_1$
<b>2</b>	Bore code
<b>3</b>	Bore diameter $d_2$
<b>4</b>	Type

How to order (Metric)

**EN 521.3-125-B12-R**

<b>1</b>	Handwheel diameter $d_1$
<b>2</b>	Bore code
<b>3</b>	Bore diameter $d_2$
<b>4</b>	Type

### Inch table

**1** **3** Dimensions in: inches / millimeters

d <sub>1</sub>	d <sub>2</sub> H7 Bore	b	d <sub>3</sub>	d <sub>4</sub>	d <sub>5</sub>	d <sub>6</sub>	d <sub>7</sub>	h	l <sub>1</sub>	l <sub>2</sub>	l <sub>3</sub>	r	Ø Handle
3.15 80	5/16	0.79 20	0.71 18	0.63 16	0.98 25	0.53 13.5	0.65 16.5	0.16 4	0.67 17	1.50 38	1.77 45	1.10 28	0.61 15.5
3.94 100	3/8	0.94 24	0.87 22	0.79 20	1.18 30	0.98 25	1.06 27	0.35 9	0.87 22	1.34 34	1.77 45	1.54 39	0.61 15.5
4.92 125	3/8	1.10 28	1.02 26	0.94 24	1.38 35	1.10 28	1.22 31	0.43 11	1.06 27	1.56 39.5	2.36 60	1.93 49	0.71 18
5.91 150	1/2	1.26 32	1.02 26	0.94 24	1.50 38	1.18 30	1.34 34	0.39 10	1.18 30	1.73 44	2.56 65	2.28 58	0.87 22
6.89 175	1/2	1.42 36	1.38 35	1.30 33	1.73 44	1.38 35	1.54 39	0.63 16	1.10 28	1.93 49	3.15 80	2.76 70	0.94 24
7.87 200	5/8	1.54 39	1.57 40	1.50 38	1.97 50	1.57 40	1.73 44	0.51 13	1.42 36	2.09 53	3.54 90	3.19 81	0.98 25
9.84 250	5/8	1.69 43	1.57 40	1.50 38	2.24 57	1.89 48	1.97 50	0.75 19	1.42 36	2.36 60	3.54 90	4.09 104	0.98 25

### Metric table

**1** **3** Dimensions in: millimeters / inches

d <sub>1</sub>	d <sub>2</sub> H7 Bore	b	d <sub>3</sub>	d <sub>4</sub>	d <sub>5</sub>	d <sub>6</sub>	d <sub>7</sub>	h	l <sub>1</sub>	l <sub>2</sub>	l <sub>3</sub>	r	Ø Handle	
80 3.15	8	10	20 0.79	18 0.71	16 0.63	25 0.98	13.5 0.53	16.5 0.65	4 0.16	17 0.67	38 1.50	45 1.77	28 1.10	15.5 0.61
100 3.94	10	12	24 0.94	22 0.87	20 0.79	30 1.18	25 0.98	27 1.06	9 0.35	22 0.87	34 1.34	45 1.77	39 1.54	15.5 0.61
125 4.92	12	14	28 1.10	26 1.02	24 0.94	35 1.38	28 1.10	31 1.22	11 0.43	27 1.06	39.5 1.56	60 2.36	49 1.93	18 0.71
150 5.91	14	16	32 1.26	26 1.02	24 0.94	38 1.50	30 1.18	34 1.34	10 0.39	30 1.18	44 1.73	65 2.56	58 2.28	22 0.87
175 6.89	16	20	36 1.42	35 1.38	33 1.30	44 1.73	35 1.38	39 1.54	16 0.63	28 1.10	49 1.93	80 3.15	70 2.76	24 0.94
200 7.87	20	24	39 1.54	40 1.57	38 1.50	50 1.97	40 1.57	44 1.73	13 0.51	36 1.42	53 2.09	90 3.54	81 3.19	25 0.98
250 9.84	20	-	43 1.69	40 1.57	38 1.50	57 2.24	48 1.89	50 1.97	19 0.75	36 1.42	60 2.36	90 3.54	104 4.09	25 0.98
300 11.81	20	-	46 1.81	40 1.57	36.5 1.44	72 2.83	65 2.56	68.5 2.70	18 0.71	44 1.73	66 2.60	90 3.54	124 4.88	25 0.98