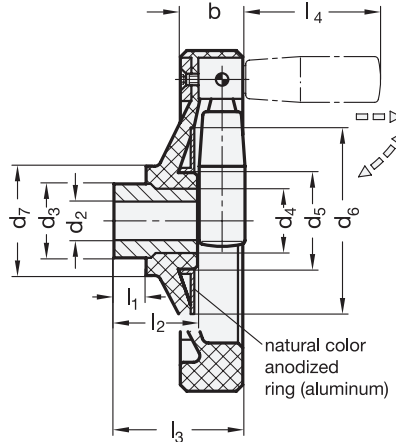
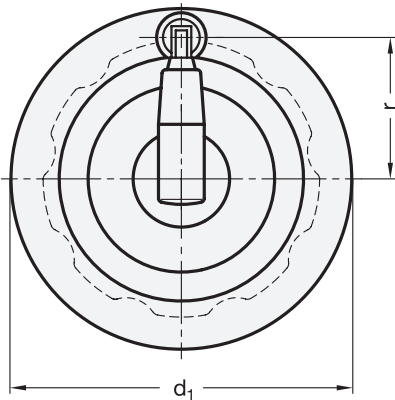


1.1
1.2
1.3
1.4
2.1
2.2
2.3
2.4

Inch | Metric



elesa
Original design VDN.FP+IR-A

2 Bore code

- B** Without keyway
- K** With keyway

4 Type

- D** With revolving retractable handle

Specification

Body

- Plastic, Phenolic resin (PF)
- High strength reinforced
- Operating temperature
-4 °F to +230 °F (-20 °C to +110 °C)
- Black, shiny finish
- Flash mark polished

Hub bushing

Steel, blackened finish

Retractable handle

- Plastic, Phenolic resin (PF)
- Black, shiny finish
- Retracting mechanism
Steel, blackened finish

RoHS

On request

- Other modifications such as special inch and metric bores, set screw holes, cross holes, etc.
- With safety-retractable handle

Plastic solid disk handwheels EN 520.4 with retractable handle are designed for applications where it is necessary for the handle to return back to starting position after operation for safety reasons or lack of space.

These handwheels have the distinguishing features where the handle and the retracting mechanism are completely encased within the rim of the wheel.

In the operating position, the handle is secured by a taper detent. To fold it down, it is drawn out from the tapered recess. A compression spring secures the handle in either position.

see also... **Page**

EN 521.3 Solid Disk Handwheels (Plastic, Bushing / Retractable Steel Mechanism)	QVX
EN 524.3 Solid Disk Handwheels (Plastic, Bushing / Retractable Steel Mechanism)	QVX

Technical Information

ISO Fundamental Tolerances	QVX
Cross Holes GN 110	QVX
Keyways WN 6885 / DIN 6885-1	QVX
Plastic Characteristics	QVX

Accessory

GN 184 Countersunk Washers (for Axial Fixing)	QVX
--	-----

How to order (Inch)

1 2 3 4	1 Handwheel diameter d_1
2	2 Bore code
3	3 Bore diameter d_2
4	4 Type
EN 520.4-150-K 1/2-D	

How to order (Metric)

1 2 3 4	1 Handwheel diameter d_1
2	2 Bore code
3	3 Bore diameter d_2
4	4 Type
EN 520.4-125-B12-D	

Inch table

Dimensions in: inches / millimeters

d₁	d₂ H7 Bore	b	d₃	d₄	d₅	d₆	d₇	l₁ -0.02	l₂ -0.02	l₃	l₄	r	Ø Handle
3.94 100	3/8	1.02 26	0.94 24	0.87 22	1.38 35	2.13 54	1.54 39	0.47 12	1.32 33.5	2.01 51	2.20 56	1.46 37	0.87 22
4.92 125	3/8	1.10 28	1.26 32	1.04 26.5	1.73 44	2.76 70	1.81 46	0.59 15	1.50 38	2.24 57	2.20 56	1.89 48	0.87 22
5.91 150	1/2	1.18 30	1.26 32	1.04 26.5	1.97 50	3.15 80	1.89 48	0.59 15	1.50 38	2.36 60	2.56 65	2.24 57	0.91 23
6.89 175	1/2	1.26 32	1.57 40	1.30 33	2.17 55	3.54 90	2.20 56	0.59 15	1.69 43	2.60 66	3.15 80	2.68 68	1.02 26
7.87 200	5/8	1.26 32	1.57 40	1.30 33	2.17 55	3.54 90	2.36 60	0.59 15	1.69 43	2.68 68	3.54 90	3.01 76.5	1.10 28
8.86 225	5/8	1.30 33	1.93 49	1.57 40	2.60 66	4.33 110	2.60 66	0.59 15	1.75 44.5	2.80 71	3.54 90	3.46 88	1.10 28
9.84 250	5/8	1.42 36	1.93 49	1.57 40	2.60 66	4.33 110	2.76 70	0.59 15	1.75 44.5	2.95 75	3.54 90	3.98 101	1.10 28

Metric table

Dimensions in: millimeters / inches

d₁	d₂ H7 Bore	b	d₃	d₄	d₅	d₆	d₇	l₁ -0.5	l₂ -0.5	l₃	l₄	r	Ø Handle
100 3.94	10	26 1.02	24 0.94	22 0.87	35 1.38	54 2.13	39 1.54	12 0.47	33.5 1.32	51 2.01	56 2.20	37 1.46	22 0.87
125 4.92	12	28 1.10	32 1.26	26.5 1.04	44 1.73	70 2.76	46 1.81	15 0.59	38 1.50	57 2.24	56 2.20	48 1.89	22 0.87
150 5.91	14	30 1.18	32 1.26	26.5 1.04	50 1.97	80 3.15	48 1.89	15 0.59	38 1.50	60 2.36	65 2.56	57 2.24	23 0.91
175 6.89	16	32 1.26	40 1.57	33 1.30	55 2.17	90 3.54	56 2.20	15 0.59	43 1.69	66 2.60	80 3.15	68 2.68	26 1.02
200 7.87	20	32 1.26	40 1.57	33 1.30	55 2.17	90 3.54	60 2.36	15 0.59	43 1.69	68 2.68	90 3.54	76.5 3.01	28 1.10
225 8.86	20	33 1.30	49 1.93	40 1.57	66 2.60	110 4.33	66 2.60	15 0.59	44.5 1.75	71 2.80	90 3.54	88 3.46	28 1.10
250 9.84	22	36 1.42	49 1.93	40 1.57	66 2.60	110 4.33	70 2.76	15 0.59	44.5 1.75	75 2.95	90 3.54	101 3.98	28 1.10
300 11.81	26	36 1.42	58 2.28	58 2.28	94 3.70	148 5.83	82 3.23	18 0.71	56 2.20	87 3.43	90 3.54	124 4.88	28 1.10