

Inch | Metric



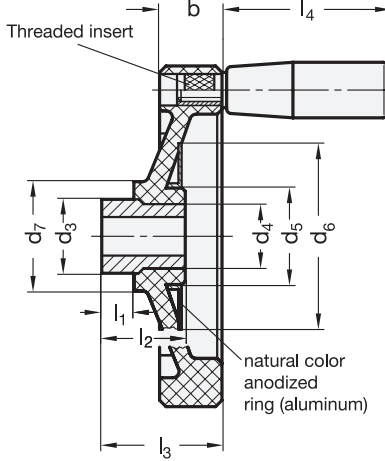
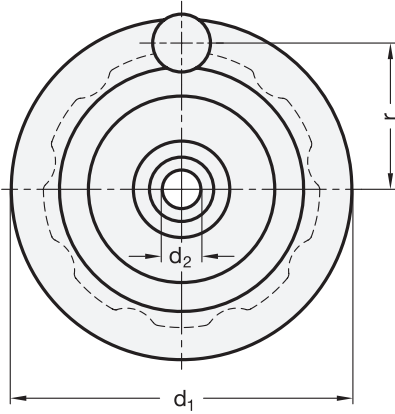
elesa
Original design VDN.FP-A

2 Bore code

- B** Without keyway
- K** With keyway

4 Type

- A** Without handle
- D** With revolving handle



Specification

Body

- Plastic, Phenolic resin (PF)
- High strength reinforced
- Operating temperature
-4 °F to +230 °F (-20 °C to +110 °C)
- Black, shiny finish

Hub bushing

Steel, blackened finish

Threaded insert

Brass

Revolving handle GN 598

- Plastic, Phenolic resin (PF)
- Black, shiny finish
- Steel spindle
Zinc plated, blue passivated finish

RoHS

On request

- Other modifications such as special inch or metric bores, set screw holes, etc.
- Without hub bore

Solid disk handwheels EN 520.1 are renowned in particular for the matte passivated aluminum ring in the front.

The tough, reinforced black plastic and high gloss polished surface give the disk handwheels a touch of elegance.

The ergonomic handle is easy to grasp and makes the disk handwheels easier to use.

see also...

	Page
EN 520.2 Solid Disk Handwheels (Phenolic Plastic, Stainless Steel Hub)	QVX
EN 524 Solid Disk Handwheels (Polyamide, Steel Hub)	QVX
EN 521 Solid Disk Handwheels (Polypropylene, Steel Hub)	QVX

Technical Information

Keyways WN 6885 / DIN 6885-1	QVX
ISO Fundamental Tolerances	QVX
Cross Holes GN 110	QVX
Plastic Characteristics	QVX

Accessory

GN 184 Countersunk Washers (for Axial Fixing)	QVX
--	-----

How to order (Inch)

EN 520.1-80-B5/16-A

- 1** Handwheel diameter d_1
- 2** Bore code
- 3** Bore diameter d_2
- 4** Type

How to order (Metric)

EN 520.1-125-K12-D

- 1** Handwheel diameter d_1
- 2** Bore code
- 3** Bore diameter d_2
- 4** Type

1.1
1.2
1.3
1.4
2.1
2.2
2.3
2.4



Inch table



Dimensions in: inches / millimeters

d ₁	d ₂ H7 Bore	d ₃	d ₄		d ₅		d ₆		d ₇	b		l ₁	l ₂		l ₃		l ₄	r	Ø Handle
			Type A	Type D	Type A	Type D	Type A	Type D		Type A	Type D		Type A	Type D	Type A	Type D			
3.15 80	5/16 20	0.79 20	0.71 18	0.71 18	1.10 28	1.10 28	1.69 43	1.69 43	1.18 30	0.55 14	0.55 14	0.39 10	1.10 28	1.10 28	1.22 31	1.22 31	1.57 40	1.26 32	0.71 18
3.94 100	3/8 24	0.94 24	0.87 22	0.79 20	1.38 35	1.38 35	2.13 54	2.13 54	1.54 39	0.59 15	0.83 21	0.47 12	1.42 36	1.32 33.5	1.57 40	1.81 46	1.97 50	1.54 39	0.83 21
4.92 125	3/8 24	1.26 32	1.04 26.5	1.04 26.5	1.73 44	1.73 44	2.76 70	2.76 70	1.81 46	0.59 15	1.10 28	0.59 15	1.50 38	1.50 38	1.73 44	2.24 57	2.56 65	1.97 50	0.91 23
5.91 150	1/2 32	1.26 32	1.04 26.5	1.04 26.5	1.73 44	1.97 50	2.76 70	3.15 80	1.89 48	0.71 18	1.18 30	0.59 15	1.50 38	1.50 38	1.93 49	2.40 61	2.56 65	2.44 62	0.91 23
6.89 175	1/2 40	1.57 40	1.30 33	1.30 33	2.17 55	2.17 55	3.54 90	3.54 90	2.20 56	0.75 19	1.26 32	0.59 15	1.69 43	1.69 43	2.13 54	2.60 66	3.15 80	2.85 72.5	1.02 26
7.87 200	5/8 33	1.57 33	1.30 33	1.30 33	2.17 55	2.17 55	3.54 90	3.54 90	2.36 60	0.83 21	1.26 32	0.59 15	1.69 43	1.69 43	2.28 58	2.68 68	3.54 90	3.23 82	1.10 28
8.86* 225	5/8 49	1.93 49	-	1.57 40	-	2.60 66	-	4.33 110	2.60 66	-	1.30 33	0.59 15	-	1.75 44.5	-	2.80 71	3.54 90	3.70 94	1.10 28
9.84 250	5/8 49	1.93 49	1.57 40	1.57 40	2.60 66	2.60 66	4.33 110	4.33 110	2.76 70	0.98 25	1.42 36	0.59 15	1.73 44	1.75 44.5	2.56 65	2.99 76	3.54 90	4.17 106	1.10 28

* Only available in type D

Metric table



Dimensions in: millimeters / inches

d ₁	d ₂ H7 Bore	d ₃	d ₄		d ₅		d ₆		d ₇	b		l ₁	l ₂		l ₃		l ₄	r	Ø Handle	
			Type A	Type D	Type A	Type D	Type A	Type D		Type A	Type D		Type A	Type D	Type A	Type D				
50 1.97	10	-	16 0.63	16 0.63	16 0.63	-	-	25 0.98	25 0.98	26 1.02	12 0.47	12 0.47	9 0.35	19 0.75	19 0.75	22 0.87	22 0.87	28 1.10	19 0.75	14 0.55
63 2.48	10	-	20 0.79	20 0.79	20 0.79	-	-	31 1.22	31 1.22	28 1.10	13 0.51	13 0.51	10 0.39	24 0.94	24 0.94	28 1.10	28 1.10	40 1.57	24 0.94	18 0.71
80 3.15	10	12	20 0.79	18 0.71	18 0.71	28 1.10	28 1.10	43 1.69	43 1.69	30 1.18	14 0.55	14 0.55	10 0.39	28 1.10	28 1.10	31 1.22	31 1.22	1.57 40	1.26 32	18 0.71
100 3.94	10	12	24 0.94	22 0.87	20 0.79	35 1.38	35 1.38	54 2.13	54 2.13	39 1.54	15 0.59	21 0.83	12 0.47	36 1.42	33.5 1.32	40 1.57	46 1.81	50 1.97	39 1.54	21 0.83
125 4.92	12	14	32 1.26	26.5 1.04	26.5 1.04	44 1.73	44 1.73	70 2.76	70 2.76	46 1.81	15 0.59	28 1.10	15 0.59	38 1.50	38 1.50	44 1.73	57 2.24	65 2.56	50 1.97	23 0.91
140 5.51	14	-	32 1.26	26.5 1.04	26.5 1.04	44 1.73	44 1.73	70 2.76	70 2.76	48 1.89	19 0.75	28 1.10	15 0.59	38 1.50	38 1.50	46 1.81	55 2.17	65 2.56	58 2.28	23 0.91
150 5.91	14	16	32 1.26	26.5 1.04	26.5 1.04	44 1.73	50 1.97	70 2.76	80 3.15	48 1.89	18 0.71	30 1.18	15 0.59	38 1.50	38 1.50	49 1.93	61 2.40	65 2.56	62 2.44	23 0.91
175 6.89	16	18	40 1.57	33 1.30	33 1.30	55 2.17	55 2.17	90 3.54	90 3.54	56 2.20	19 0.75	32 1.26	15 0.59	43 1.69	43 1.69	54 2.13	66 2.60	80 3.15	72.5 2.85	26 1.02
200 7.87	18	20	40 1.57	33 1.30	33 1.30	55 2.17	55 2.17	90 3.54	90 3.54	60 2.36	21 0.83	32 1.26	15 0.59	43 1.69	43 1.69	58 2.28	68 2.68	90 3.54	82 3.23	28 1.10
225* 8.86	20	22	49 1.93	-	40 1.57	-	66 2.60	-	110 4.33	66 2.60	-	33 1.30	15 0.59	-	44.5 1.75	-	71 2.80	90 3.54	94 3.70	28 1.10
250 9.84	22	24*	49 1.93	40 1.57	40 1.57	66 2.60	66 2.60	110 4.33	110 4.33	70 2.76	25 0.98	36 1.42	15 0.59	44 1.73	44.5 1.75	65 2.56	76 2.99	90 3.54	106 4.17	28 1.10
300 11.81	26	-	58 2.28	58 2.28	58 2.28	94 3.70	94 3.70	148 5.83	148 5.83	82 3.23	25 0.98	36 1.42	18 0.71	56 2.20	56 2.20	75 2.95	87 3.43	90 3.54	132 5.20	28 1.10

* Only available in type D