

**3 Type**

- N** Without anti-twist protection
- V** With anti-twist protection
- S** Heavy

**Specification**

- Steel, zinc plated, blue passivated finish **SZ**
- Stainless steel, plain finish **NB**
- RoHS

**Information**

T-nuts GN 50i fasten attachments and accessories in the slot of aluminum profiles. The spring-loaded ball secures the T-nut against unwanted slipping within the slot, making installation easier. T-nuts of types N and V can be swiveled into the slot at any position.

see also...

- Aluminum Profiles GN 10i (Profile Type Light) → page QVX
- Aluminum Profiles GN 10i (Profile Type Heavy) → page QVX
- Aluminum Profiles GN 11i (with Partially Closed Slots) → page QVX

How to order	1 Slot width n
	2 Thread d
	3 Type
	4 Material / Finish

1 2 3 4  
**GN 50i- 8 M6-V-SZ**

**Metric table**

Dimensions in: millimeters - inches

1 2

Type N n	d Steel					Stainless steel					b ≈	h <sub>1</sub> ≈	h <sub>2</sub> ≈	Length l	m ≈
	M 3	M 4	M 5	-	-	M 4	M 5	-	-						
5 0.20	M 3	M 4	M 5	-	-	M 4	M 5	-	-	8 0.31	4 0.16	0.8 0.03	11.5 0.45	4 0.16	
6 0.24	M 3	M 4	M 5	M 6	-	-	-	-	-	11 0.43	6 0.24	0.9 0.04	17 0.67	5 0.20	
8 0.31	M 4	M 5	M 6	M 8	-	M 4	M 5	M 6	M 8	14 0.55	7 0.28	1.6 0.06	23 0.91	7 0.28	

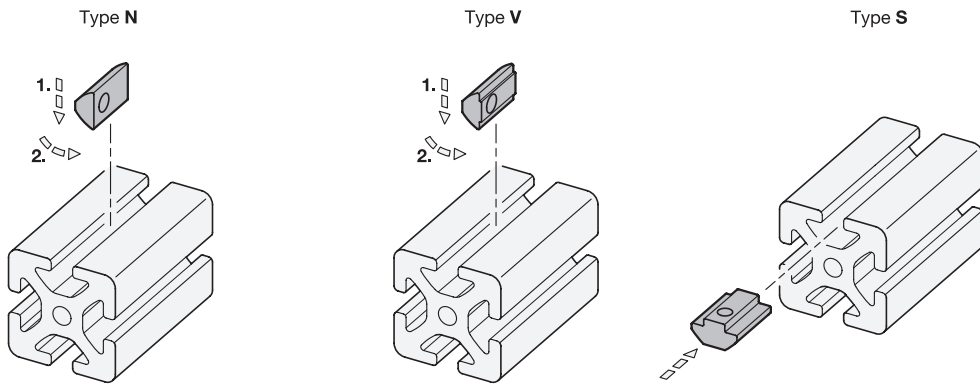
1 2

Type V n	d Steel					Stainless steel					b ≈	h <sub>1</sub> ≈	h <sub>2</sub> ≈	h <sub>3</sub> ≈	Length l	m ≈
	M 3	M 4	M 5	M 6	-	M 5	M 6	-	-							
5 0.20	M 3	M 4	M 5	-	-	-	-	-	-	8 0.31	4 0.16	0.8 0.03	0.7 0.03	11.5 0.45	4 0.16	
6 0.24	M 3	M 4	M 5	M 6	-	M 5	M 6	-	-	11 0.43	6 0.24	0.9 0.04	0.5 0.02	17 0.67	5 0.20	
8 0.31	M 3	M 4	M 5	M 6	M 8	-	-	-	-	14 0.55	7 0.28	1.6 0.06	0.9 0.04	23 0.91	7 0.28	
8 0.31	M 4	M 5	M 6	M 8	-	-	-	-	-	18 0.71	7 0.28	1.6 0.06	2.8 0.11	23 0.91	7 0.28	

1 2

Type S n	d Steel					Stainless steel					b ≈	h <sub>1</sub> ≈	h <sub>2</sub> ≈	h <sub>3</sub> ≈	Length l	m ≈
	M 4	M 5	M 6	M 8	-	-	-	-	-							
8 0.31	M 4	M 5	M 6	M 8	-	-	-	-	-	18 0.71	7 0.28	1.6 0.06	2.8 0.11	23 0.91	7 0.28	

**Assembly instruction**



3.1  
3.2  
3.3  
3.4  
3.5  
3.6  
3.7  
3.8  
3.9  
3.10