

- 3 Type**
- R1** Right-hand thread, shaft journal at one end
 - R2*** Right-hand thread, shaft journal at both ends
 - L1*** Left-hand thread, shaft journal at one end
 - L2*** Left-hand thread, shaft journal at both ends

Metric table

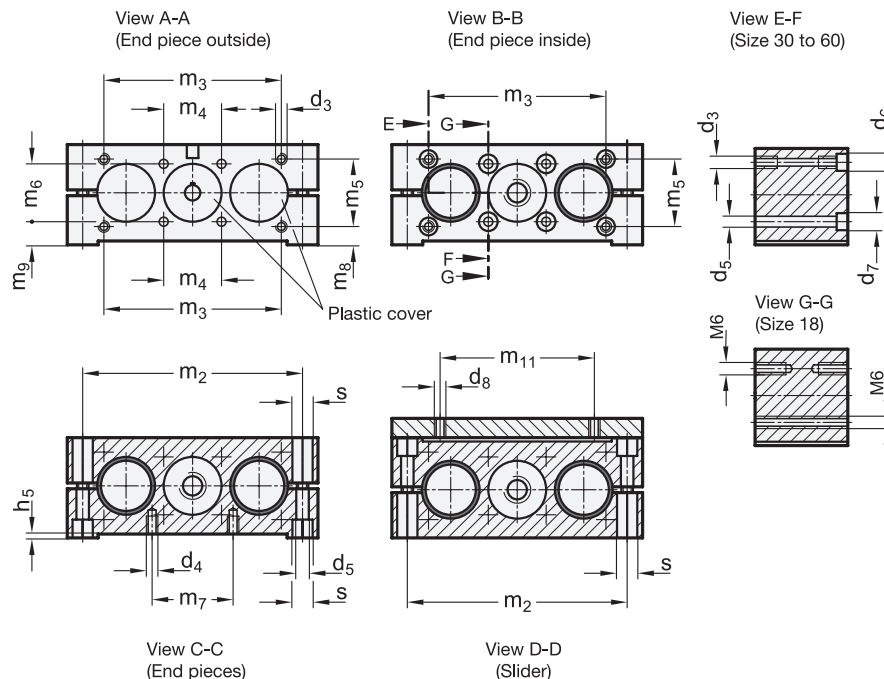
Dimensions in: millimeters - inches

d ₁	l ₁ Stroke (adjustment travel of the slider) Standard lengths					Threaded spindle	b	d ₂	d ₃ ** Thread	d ₄ *** Thread	d ₅	d ₆	For screw DIN 912
	100	150	200	300	400								
18 0.71	100 3.94	150 5.91	200 7.87	300 11.81	400 15.75	TR10x3	28 1.10	6 0.24	-	M 5	5.3 0.21	-	-
30 1.18	100 3.94	150 5.91	200 7.87	300 11.81	1500 59.06	TR14x4	50 1.97	8 0.31	M 6	M 6	6.5 0.26	10 0.39	M 5
40 1.57	100 3.94	150 5.91	200 7.87	300 11.81	2500 98.43	TR20x4	60 2.36	12 0.47	M 8	M 8	8.5 0.33	13.5 0.53	M 6
50 1.97	100 3.94	150 5.91	200 7.87	300 11.81	2630 103.54	TR20x4	72 2.83	12 0.47	M 10	M 8	8.5 0.33	15 0.59	M 8
60 2.36	400 15.75	500 19.69	600 23.62	-	2580 101.57	TR25x5	80 3.15	14 0.55	M 10	M 10	10.5 0.41	13.5 0.53	M 8

d ₁	d ₇	For screw DIN 912	d ₈ Thread	h ₁	h ₂	h ₃	h ₄	h ₅	h ₆	l ₂ Total length	l ₃	l ₄	l ₅	m ₁	m ₂
18 0.71	-	-	M 5	28 1.10	37 1.46	1 0.04	14.5 0.57	0.75 0.03	8 0.31	2xb+l ₅ +l ₁	81 3.19	16 0.63	81 3.19	b+l ₅ +l ₁	68 2.68
30 1.18	11 0.43	M 6	M 6	52 2.05	64 2.52	2 0.08	27 1.06	0.85 0.03	10 0.39	2xb+l ₅ +l ₁	130 5.12	16 0.63	130 5.12	b+l ₅ +l ₁	114 4.49
40 1.57	13.5 0.53	M 8	M 8	60 2.36	76 2.99	3 0.12	31.5 1.24	1.05 0.04	13 0.51	2xb+l ₅ +l ₁	180 7.09	17 0.67	180 7.09	b+l ₅ +l ₁	160 6.30
50 1.97	15 0.59	M 8	M 8	72 2.83	92 3.62	4 0.16	38 1.50	1.2 0.05	16 0.63	2xb+l ₅ +l ₁	206 8.11	18 0.71	206 8.11	b+l ₅ +l ₁	184 7.24
60 2.36	16.5 0.65	M 10	M 10	86 3.39	106 4.17	4 0.16	45 1.77	1.35 0.05	16 0.63	2xb+l ₅ +l ₁	240 9.45	19 0.75	240 9.45	b+l ₅ +l ₁	216 8.50

d ₁	m ₃	m ₄	m ₅	m ₆	m ₇	m ₈	m ₉	m ₁₀	m ₁₁	s Hexagon	Parallel key DIN 6885	Installation kit	Position indicator	Handwheel	
18 0.71	-	20 0.79	-	20 0.79	18 0.71	-	4.5 0.18	68 2.68	52 2.05	8 0.31	A2x2x12	GN 491.1	EN 955	-	GN 9234
30 1.18	92 3.62	30 1.18	35 1.38	30 1.18	42 1.65	9.5 0.37	12 0.47	114 4.49	80 3.15	10 0.39	A2x2x12	GN 491.1	EN 954	EN 9054	GN 9234
40 1.57	132 5.20	39 1.54	38 1.50	39 1.54	62 2.44	12.5 0.49	12 0.47	160 6.30	120 4.72	13 0.51	A4x4x12	GN 491.1	EN 953	EN 9053	GN 9234
50 1.97	150 5.91	46 1.81	50 1.97	46 1.81	62 2.44	13 0.51	15 0.59	184 7.24	134 5.28	13 0.51	A4x4x12	GN 491.1	EN 953	EN 9053	GN 9234
60 2.36	185 7.28	55 2.17	60 2.36	55 2.17	74 2.91	14 0.55	16.5 0.65	216 8.50	160 6.30	17 0.67	A5x5x16	GN 491.1	EN 953	EN 9053	GN 9234

***Usable thread depth min. 1.5 x d₄ **Usable thread depth on both sides min. 2 x d₃ *Usually not available from stock



Specification

- Guide tubes DIN 2391
Steel, chrome plate **SCR**
- End pieces / sliders / adapter plate
Aluminum
- Powder coated
Black, RAL 9005, textured finish
- Mounting surface
Machined, plain finish
- Trapezoidal thread spindle
- Steel, plain finish
- Ball-bearing
- Positioning accuracy ±0.2 mm /
300 mm stroke
- Lead nut
Gunmetal
- Socket cap screws DIN 912
Steel, zinc plated
- Hex nuts DIN 985
Steel, zinc plated
Self-locking via polyamide ring
- **RoHS compliant**

Accessory

- Installation kits GN 491.1
(for position indicators) → page 1977

On request

- Version in stainless steel
- Tube with longitudinal scale
- Right-hand thread, shaft journal at both ends
- Left-hand thread, shaft journal at one end
- Left-hand thread, shaft journal at both ends

Information

In addition to the standard stroke lengths of the GN 492 double tube linear actuator specified in the table, any stroke within the maximum stroke lengths is available.

In order to measure the movement and position of the double sliders, digital position indicators can be attached.

see also...

- *Mounting Options* → page 1972
- *Additional Information / Load Data* → page 1968
- *Double Tube Linear Actuators GN 491 (with Single Slider)* → page 1970
- *Handwheels GN 9234* → page XYZ
- *Longitudinal Scales GN 299* → page 1960
- *Digital Position Indicators EN 953 / EN 954* → page 372 / 374
- *Digital Position Indicators EN 9053 / EN 9054* → page 378 / 380

How to order

GN 492-18-100-R1-SCR

1	Diameter d ₁
2	Stroke l ₁
3	Type
4	Material

3.1
3.2
3.3
3.4
3.5
3.6
3.7
3.8
3.9
3.10