

GN 471

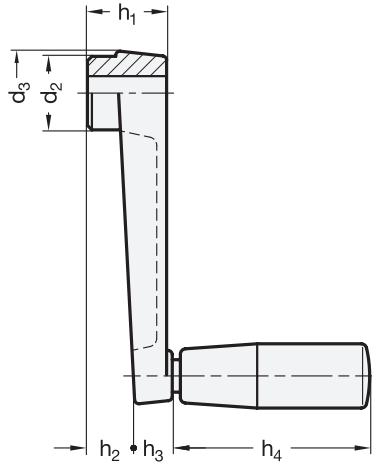
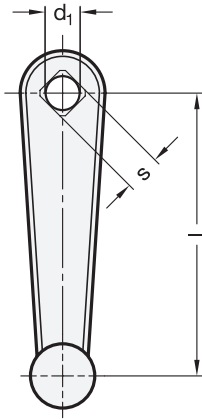
Aluminum

GN 471.1

Zinc Die-Cast

Crank Handles

Revolving Handle, Through Round or Square Bore



Inch | Metric



Specification

GN 471

Body

Aluminum

- Powder coated
Black, textured finish
- Contact face of hub machined

GN 471.1

Body

Zinc die-cast
Powder coated
Black, textured finish

Revolving handles GN 598

Plastic, Polyamide (PA)
• Black, matte finish
• Steel spindle
Zinc plated, blue passivated finish

RoHS

On request

- Other modifications such as special inch and metric bores, squares, keyways, set screw holes, etc.

Cranked handles GN 471 / GN 471.1 are used for making adjustments or driving mechanisms.

The crank movement is transmitted via the revolving cylindrical handle. The revolving handle body can be held firmly and securely while cranking. Cranked handles can also be ordered with cross holes GN 110.

see also...

	Page
EN 570 Crank Handles (Pastic, with Bore)	QVX
EN 570.1 Crank Handles (Plastic, with Square)	QVX

Technical Information

Cross Holes GN 110	QVX
Square Bores WN 79	QVX
ISO Fundamental Tolerances	QVX
Plastic Characteristics	QVX

How to order (Inch, aluminum)

GN 471-80-B5/16	1 Length l
	2 Bore d ₁ (Square s)

How to order (Metric, zinc die-cast)

GN 471.1-50-V8	1 Length l
	2 Square s (Bore d ₁)

Inch table

Dimensions in: inches / millimeters

Length I	d ₁ H7 Bore		s H11 Square		d ₂	d ₃	h ₁	h ₂	h ₃	h ₄ ≈	Ø Handle GN 598	
	GN 471	GN 471.1	GN 471	GN 471.1								
1.97 50	-	-	B 3/8	V 5/16	V 5/16	0.63 16	0.71 18	0.71 18	0.39 10	0.39 10	1.12 28.5	0.55 14
2.52 64	-	-	B 1/2	V 3/8	V 3/8	0.75 19	0.87 22	0.79 20	0.43 11	0.47 12	1.67 42.5	0.71 18
3.15 80	B 3/8	-	B 1/2	V 3/8	V 1/2	0.91 23	1.02 26	0.94 24	0.55 14	0.55 14	2.07 52.5	0.83 21
3.94 100	B 1/2	-	B 1/2	V 1/2	V 1/2	1.06 27	1.18 30	1.10 28	0.67 17	0.59 15	2.66 67.5	0.91 23
4.92 125	B 5/16	B 5/8	-	V 5/8	-	1.26 32	1.38 35	1.34 34	0.87 22	0.71 18	3.25 82.5	1.02 26
6.30 160	B 1/2	B 3/4	-	V 3/4	-	1.38 35	1.54 39	1.50 38	1.02 26	0.71 18	3.25 82.5	1.02 26

Metric table

Dimensions in: millimeters / inches

Length I	d ₁ H7 Bore		s H11 Square		d ₂	d ₃	h ₁	h ₂	h ₃	h ₄ ≈	Ø Handle GN 598	
	GN 471	GN 471.1	GN 471	GN 471.1								
50 1.97	-	-	B 8	-	V 8	16 0.63	18 0.71	18 0.71	10 0.39	10 0.39	28.5 1.12	14 0.55
64 2.52	-	-	B 10	-	V 10	19 0.75	22 0.87	20 0.79	11 0.43	12 0.47	42.5 1.67	18 0.71
80 3.15	B 8	B 10	B 10	V 10	V 10	23 0.91	26 1.02	24 0.94	14 0.55	14 0.55	52.5 2.07	21 0.83
100 3.94	B 12	-	B 12	V 12	V 12	27 1.06	30 1.18	28 1.10	17 0.67	15 0.59	67.5 2.66	23 0.91
125 4.92	B 14	-	-	V 14	-	32 1.26	35 1.38	34 1.34	22 0.87	18 0.71	82.5 3.25	26 1.02
160 6.30	B 12	B 17	-	V 17	-	35 1.38	39 1.54	38 1.50	26 1.02	18 0.71	82.5 3.25	26 1.02