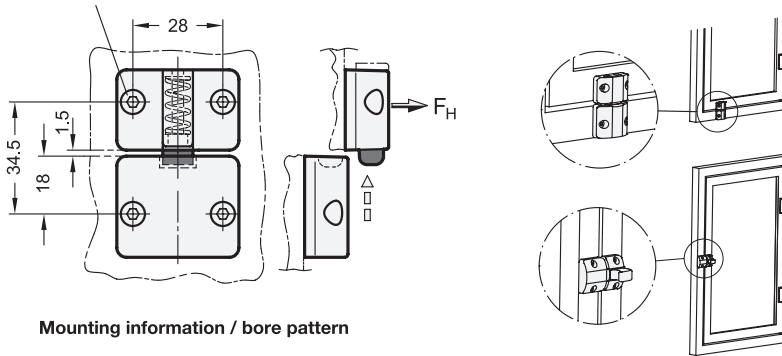


Bore for DIN 912-M4 socket cap screw

Application examples



Mounting information / bore pattern



2 Type

- A Snap latch without hook, without finger handle
- B Snap latch with hook, with finger handle

Metric table

Dimensions in: millimeters - inches

b	Holding force <b>F</b> (Type A with bore distance 34 mm)
38	100 N
1.50	22.48 lbf

Specification

- Latch housing  
Plastic  
Technopolymer (Poylamide PA)  
- Glass fiber reinforced  
- Temperature resistant up to 176 °F (80 °C)  
- Black, matte finish ● **SW**  
- Gray, matte finish ● **LG**
- Thrust spring  
Stainless steel
- Plastic Characteristics → page QVX
- RoHS compliant

Information

EN 449 snap door latches are an easy way of holding swing doors shut. A spring loaded latch (type A) snaps tight when pushed closed and releases when pulled open. In the design with finger handle (type B), the door is held shut via the hook latch. The door is unlatched by lifting the finger handle. This finger handle can be used in place of a separate door operating handle.

see also...

- Ball Shaped Door Catches EN 450 → page QVX

How to order

EN 449-38-A-SW

- 1 Width b
- 2 Type
- 3 Color

3.1  
3.2  
3.3  
3.4  
3.5  
3.6  
3.7  
3.8  
3.9  
3.10

