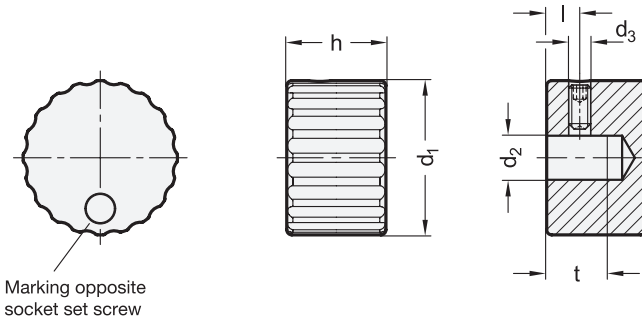


Metric



SS Stainless Steel

3 Type

- N Without indicator point
- M With indicator point

Metric table

Dimensions in: millimeters / inches

1 d ₁	2 d ₂ H8 Bore		d ₃	h	Length l	t min.
24 0.94	B 5	B 6	M 4	16 0.63	4 0.16	10 0.39
28 1.10	B 6	B 8	M 4	18 0.71	4 0.16	11 0.43

Specification

Knob

- Stainless steel AISI 304
- Matte shot-blasted finish
- Indicator point for type M
- Laser engraved

MT

Socket set screw DIN 916

- Stainless steel
- With internal hex and serrated point

RoHS

see also...

GN 436.1 Knurled Control Knobs (with Extended Hub for Graduation Scale) QVX

Technical Information

ISO Fundamental Tolerances QVX

How to order

1 2 3 4
GN 436-24-B6-N-MT

- 1 Outside diameter d₁
- 2 Bore d₂
- 3 Type
- 4 Finish

