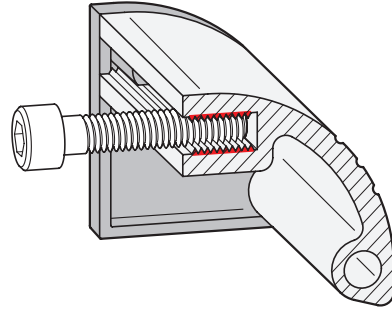


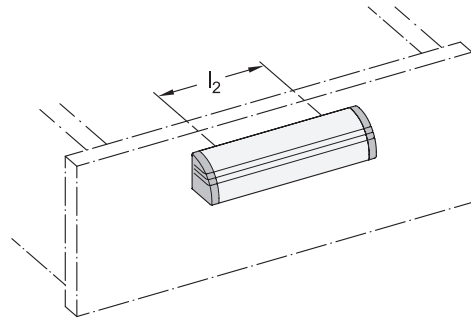
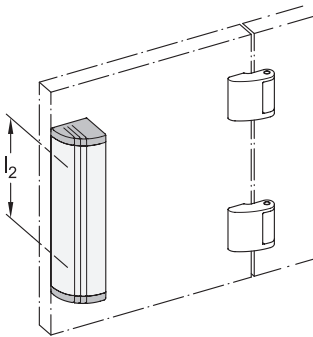
Information on Mounting with a Screw Channel

Thanks to the screw channel which runs all the way through, any number of screws with standard thread M6 can be placed in any locations within the screw area l_2 . Please note the following guide values:

- Minimum screw-in depth: 0.39" (10 mm)
- Max. load (screw) 90 lbf (400 N)
- Max. tightening torque: 4 Nm



Application Examples



Information on Ledge Handles GN 430.1 with Lettering Block

A ZIP file with various templates (Word®, Open Office, PDF) is provided at www.jwwinco.com/service, which can be used to create labels. The paper strip also serves as a carrier for common lettering tapes up to 18 mm in width.

