

GN 430

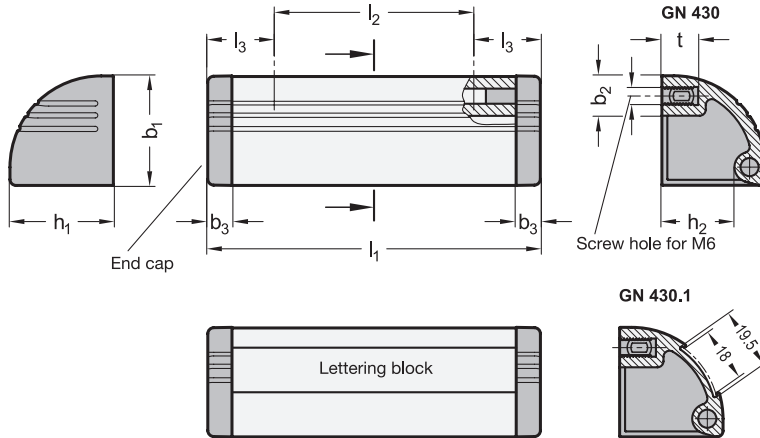
without Lettering Block

GN 430.1

with Lettering Block

Ledge Handles

Aluminum Handle Profile, Plastic End Cap



Metric



Metric table

Dimensions in: millimeters / inches

l_1	b_1	b_2	b_3	h_1	h_2	l_2 Screw area	l_3	t
110 4.33	36 1.42	13 0.51	8 0.31	34 1.34	24 0.94	66 2.60	22 0.87	12 0.47
130 5.12	36 1.42	13 0.51	8 0.31	34 1.34	24 0.94	86 3.39	22 0.87	12 0.47
150 5.91	36 1.42	13 0.51	8 0.31	34 1.34	24 0.94	106 4.17	22 0.87	12 0.47
200 7.87	36 1.42	13 0.51	8 0.31	34 1.34	24 0.94	156 6.14	22 0.87	12 0.47
250 9.84	36 1.42	13 0.51	8 0.31	34 1.34	24 0.94	206 8.11	22 0.87	12 0.47
300 11.81	36 1.42	13 0.51	8 0.31	34 1.34	24 0.94	256 10.08	22 0.87	12 0.47
400 15.75	36 1.42	13 0.51	8 0.31	34 1.34	24 0.94	356 14.02	22 0.87	12 0.47
500 19.69	36 1.42	13 0.51	8 0.31	34 1.34	24 0.94	456 17.95	22 0.87	12 0.47

Specification

Handle profile

Aluminum

• Powder coated

Black, RAL 9005, textured finish

• Anodized finish, natural color

● SW

● EL

End caps

Plastic, Polyamide (PA)

Black-gray

GN 430.1

Lettering block

Insert groove supplied with:

• Paper strip 200 g/m², 19.5 mm width

bright white, age-resistant

• PVC hard film

Transparent

RoHS

On request

• Special lengths

• Various inch and metric size fasteners and kit packaging

A typical field of application for ledge handles GN 430 and GN 430.1 are doors of protective enclosures on machines and devices. They are also suitable as drawer handles.

The screw channel for M6 screws allows any number of mounting screws at any position within the dimension l_2 .

The aluminum profile is available in any length, and the end caps are also available individually. Special lengths can be delivered even in relatively small quantities.

For ledge handles GN 430.1 with lettering block, only one end cap is mounted when delivered, so that the supplied paper / film strip can be labeled and pushed into the groove provided.

Technical Information

Assembly Instructions / Application Examples

Page

QVX

How to order (Without lettering block)

1	Length l_1
2	Finish

GN 430-200-EL

How to order (With lettering block)

1	Length l_1
2	Finish

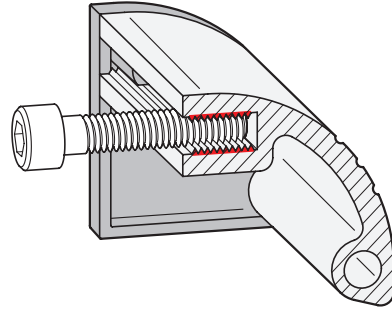
GN 430.1-200-EL

1.1
1.2
1.3
1.4
2.1
2.2
2.3
2.4

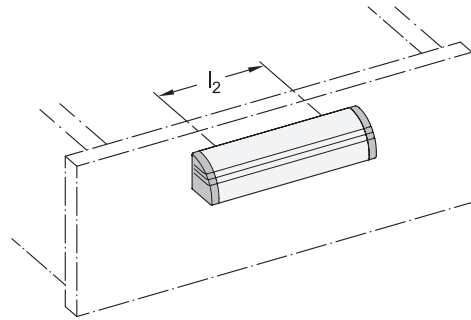
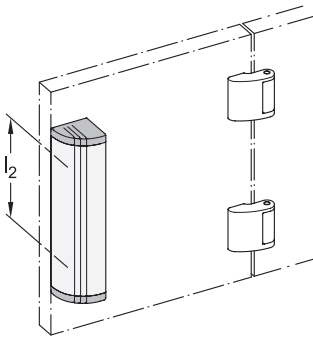
Information on Mounting with a Screw Channel

Thanks to the screw channel which runs all the way through, any number of screws with standard thread M6 can be placed in any locations within the screw area l_2 . Please note the following guide values:

- Minimum screw-in depth: 0.39" (10 mm)
- Max. load (screw) 90 lbf (400 N)
- Max. tightening torque: 4 Nm



Application Examples



Information on Ledge Handles GN 430.1 with Lettering Block

A ZIP file with various templates (Word®, Open Office, PDF) is provided at www.jwwinco.com/service, which can be used to create labels. The paper strip also serves as a carrier for common lettering tapes up to 18 mm in width.

