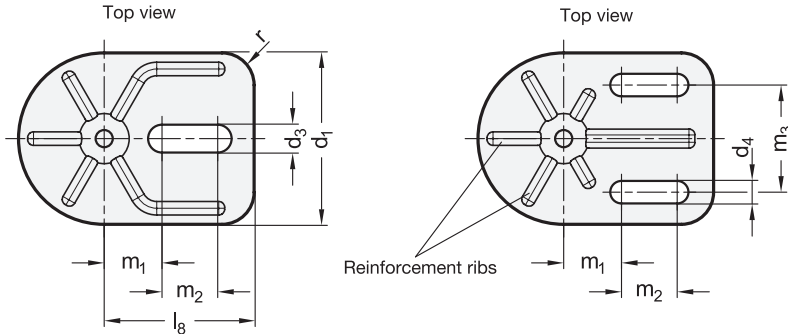
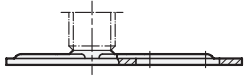


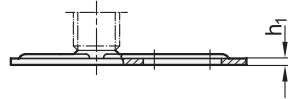
Inch | Metric



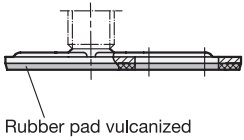
Type E0



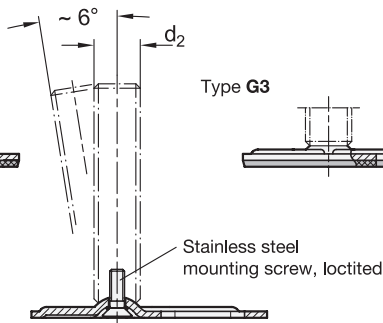
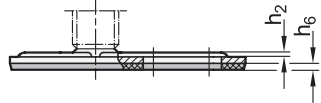
Type G0



Type E3



Type G3



4 Type (Base)

- E0** Without rubber pad, with 1 slotted hole
- E3** With rubber pad, vulcanized, black, with 1 slotted hole
- G0** Without rubber pad, with 2 slotted holes
- G3** With rubber pad, vulcanized, black, with 2 slotted holes

Inch table

1	2	3								3									
d₁	d₂	l₁				l₇				d₃	d₄	h₁	h₂	h₆	l₈	m₁	m₂	m₃	
		Version S / SK				Version U / UK				Version X									
3.15 80	5/16 x 18	-	-	-	-	-	-	-	-	1.02 26	0.51 13	0.41 10.5	0.12 3	0.05 1.3	0.12 3	2.76 70	1.06 27	1.02 26	1.97 50
3.15 80	3/8 x 16	2.95 75	3.94 100	4.92 125	5.91 150	-	-	-	-	1.14 29	0.51 13	0.41 10.5	0.12 3	0.05 1.3	0.12 3	2.76 70	1.06 27	1.02 26	1.97 50
3.15 80	1/2 x 13	2.95 75	3.94 100	4.92 125	5.91 150	-	-	-	-	1.26 32	0.51 13	0.41 10.5	0.12 3	0.05 1.3	0.12 3	2.76 70	1.06 27	1.02 26	1.97 50
3.15 80	5/8 x 11	-	-	-	-	2.95 75	3.94 100	4.92 125	5.91 150	1.50 38	0.51 13	0.41 10.5	0.12 3	0.05 1.3	0.12 3	2.76 70	1.06 27	1.02 26	1.97 50
3.15 80	3/4 x 10	-	-	-	-	3.94 100	4.92 125	5.91 150	-	1.77 45	0.51 13	0.41 10.5	0.12 3	0.05 1.3	0.12 3	2.76 70	1.06 27	1.02 26	1.97 50

d₁	d₂	h₃	h₄	A/F₁	A/F₂	A/F₃	A/F₇	r	t
3.15 80	5/16 x 18	0.47 12	-	-	-	-	1/2	0.59 15	0.31 8
3.15 80	3/8 x 16	0.47 12	-	11/16	-	-	1/2	0.59 15	0.39 10
3.15 80	1/2 x 13	0.47 12	-	11/16	-	-	5/8	0.59 15	0.47 12
3.15 80	5/8 x 11	-	0.71 18	-	1/2	5/16	7/8	0.59 15	0.63 16
3.15 80	3/4 x 10	-	0.75 19	-	9/16	7/16	1	0.59 15	0.79 20

Stud / socket versions		
<p>S Without nut SK With nut</p>	<p>U Without nut UK With nut</p>	<p>X Tapped socket type</p>
External hex at the bottom at d_2 3/8 x 16, 1/2 x 13 M 8, M 10, M 12	Internal hex at the top, wrench flat at the bottom at d_2 5/8 x 11, 3/4 x 10 M 16, M 20, M 24	External hex with tapped socket at d_2 5/16 x 18, 3/8 x 16, 1/2 x 13, 5/8 x 11, 3/4 x 10 M 8, M 10, M 12, M 16, M 20

Metric table

													Dimensions in: millimeters - inches								
d_1	d_2	Version S / SK					Version U / UK					l_7 Version X	d_3	d_4	h_1	h_2	h_6	l_8	m_1	m_2	m_3
80 3.15	M 8	40 1.57	50 1.97	63 2.48	-	-	-	-	-	-	26 1.02	13 0.51	10.5 0.41	3 0.12	1.3 0.05	3 0.12	70 2.76	27 1.06	26 1.02	50 1.97	
80 3.15	M 10	50 1.97	60 2.36	80 3.15	100 3.94	-	-	-	-	-	29 1.14	13 0.51	10.5 0.41	3 0.12	1.3 0.05	3 0.12	70 2.76	27 1.06	26 1.02	50 1.97	
80 3.15	M 12	60 2.36	80 3.15	100 3.94	125 4.92	-	-	-	-	-	32 1.26	13 0.51	10.5 0.41	3 0.12	1.3 0.05	3 0.12	70 2.76	27 1.06	26 1.02	50 1.97	
80 3.15	M 16	-	-	-	-	75 2.95	100 3.94	125 4.92	150 5.91	200 7.87	250 9.84	13 0.51	10.5 0.41	3 0.12	1.3 0.05	3 0.12	70 2.76	27 1.06	26 1.02	50 1.97	
80 3.15	M 20	-	-	-	-	75 2.95	100 3.94	125 4.92	150 5.91	200 7.87	250 9.84	45 1.77	13 0.51	10.5 0.41	3 0.12	1.3 0.05	3 0.12	70 2.76	27 1.06	26 1.02	50 1.97
80 3.15	M 24	-	-	-	-	100 3.94	125 4.92	150 5.91	200 7.87	300 11.81	-	13 0.51	10.5 0.41	3 0.12	1.3 0.05	3 0.12	70 2.76	27 1.06	26 1.02	50 1.97	

d_1	d_2	h_3	h_4	A/F ₁	A/F ₂	A/F ₃	A/F ₇	r	t
80 3.15	M 8	12 0.47	-	17 0.67	-	-	14 0.55	15 0.59	8 0.31
80 3.15	M 10	12 0.47	-	17 0.67	-	-	14 0.55	15 0.59	10 0.39
80 3.15	M 12	12 0.47	-	17 0.67	-	-	17 0.67	15 0.59	12 0.47
80 3.15	M 16	-	18 0.71	-	12 0.47	8 0.31	22 0.87	15 0.59	16 0.63
80 3.15	M 20	-	19 0.75	-	15 0.59	10 0.39	27 1.06	15 0.59	20 0.79
80 3.15	M 24	-	22 0.87	-	19 0.75	12 0.47	-	15 0.59	-

Specification

- Base
Steel, zinc plated, blue passivated finish
- Threaded stud / tapped socket
Steel, zinc plated, blue passivated finish
- Inch size hex nut ANSI / ASME B18.2.2
Steel, zinc plated, blue passivated finish
- Metric size hex nut ISO 4032
Steel, zinc plated, blue passivated finish
- Rubber pad
NBR (Perbunan®) 70 ±5 shore A
- Vulcanized
- Black
- Load Rating Information → page 2120
- Plastic Characteristics → page 2135
- RoHS compliant

Information

GN 42 leveling feet can be used universally thanks to the wide range of possible combinations of the base and the stud / socket versions.

The leveling feet can be screwed to the mounting surface using the slotted mounting hole, which prevents lateral slippage. The types with rubber pad also protect sensitive surfaces.

These leveling feet are supplied fully assembled and cannot be disassembled.

How to order (Inch)	1 Base diameter d_1
	2 Thread d_2
	3 Length l_1 (Length l_7)
	4 Type (Base)
	5 Stud / socket version
How to order (Metric)	1 Base diameter d_1
	2 Thread d_2
	3 Length l_7 (Length l_1)
	4 Type (Base)
	5 Stud / socket version

3.1
3.2
3.3
3.4
3.5
3.6
3.7
3.8
3.9
3.10