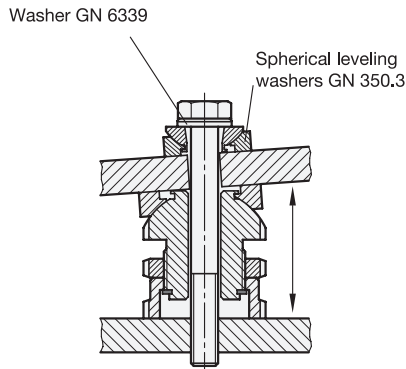
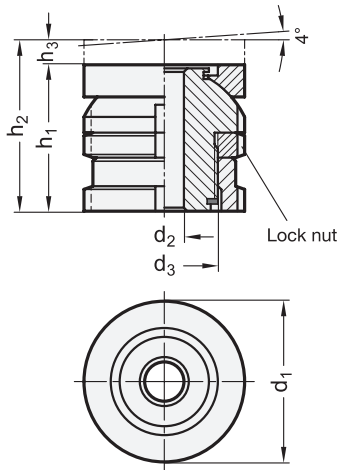


# GN 350.5

Steel / Stainless Steel

# Leveling Sets

with Spherical Washer, with Lock Nut



SS Stainless Steel

### Specification



- Steel, zinc plated, blue passivated finish **ST**  
European Standard No. 1.7225 (42CrMo4V)
- Stainless steel AISI 303 **NI**
- $F_1$ : max. total load
- $F_2$ : max. load after deduction of max. preload
  - For screws 8.8,  $\mu = 0.125$  (steel)
  - For screws 6.8,  $\mu = 0.14$  (stainless steel)
- *Stainless Steel Characteristics* → page 2143
- [RoHS compliant](#)

### Accessory

- Hook spanner wrenches DIN 1810  
(Part number, see table)

### Information

GN 350.5 leveling sets are used for leveling, adjusting, and linking operations. The spherical washer allows precise installation of two non-parallel planes at a required gradient up to  $\approx 4^\circ$ .

Leveling sets consist of a threaded upper sleeve and a tapped lower sleeve. The fine thread allows stepless, precise setting and locking using a DIN 1810 hook spanner wrench. A circlip limits the maximum adjustable range.

see also...

- *Leveling Sets GN 350 / GN 350.1* → page 1188 / 1190

#### How to order


**GN350.5-45-11-41-ST**



1	Outer diameter $d_1$
2	Bore $d_2$
3	Height $h_1$
4	Material

**Metric table**

Dimensions in: millimeters - inches

d <sub>1</sub>	d <sub>2</sub>	h <sub>1</sub>		d <sub>3</sub> Thread	h <sub>2</sub>		h <sub>3</sub> Adjustable range		For screws with thread size	Static load				Part number hook spanner wrench 
		Low type	High type		Low type	High type	Low type	High type		Steel		Stainless steel		
										F <sub>1</sub>	F <sub>2</sub>	F <sub>1</sub>	F <sub>2</sub>	
25 0.98	6.6 0.26	27 1.06	40 1.57	M 15 x 1	31 1.22	50 1.97	4 0.16	10 0.39	M 6	40 kN 8992 lbf	30.7 kN 6902 lbf	27.1 kN 6092 lbf	20.26 kN 4555 lbf	DIN 1810-A25-28
32 1.26	6.6 0.26	32 1.26	49 1.93	M 20 x 1	37 1.46	63 2.48	5 0.20	14 0.55	M 6	65 kN 14613 lbf	55.7 kN 12522 lbf	43.4 kN 9757 lbf	36.56 kN 8219 lbf	DIN 1810-A30-32
32 1.26	9 0.35	32 1.26	49 1.93	M 20 x 1	37 1.46	63 2.48	5 0.20	14 0.55	M 8	65 kN 14613 lbf	48 kN 10791 lbf	43.4 kN 9757 lbf	30.86 kN 6938 lbf	DIN 1810-A30-32
32 1.26	11 0.43	32 1.26	49 1.93	M 20 x 1	37 1.46	63 2.48	5 0.20	14 0.55	M 10	65 kN 14613 lbf	37.9 kN 8520 lbf	43.4 kN 9757 lbf	23.41 kN 5263 lbf	DIN 1810-A30-32
45 1.77	11 0.43	41 1.61	61 2.40	M 30 x 1.5	48 1.89	79 3.11	7 0.28	18 0.71	M 10	120 kN 26977 lbf	92.9 kN 20885 lbf	84 kN 18884 lbf	64.01 kN 14390 lbf	DIN 1810-A45-50
45 1.77	13.5 0.53	41 1.61	61 2.40	M 30 x 1.5	48 1.89	79 3.11	7 0.28	18 0.71	M 12	120 kN 26977 lbf	80.4 kN 18075 lbf	84 kN 18884 lbf	54.82 kN 12324 lbf	DIN 1810-A45-50
45 1.77	17.5 0.69	41 1.61	61 2.40	M 30 x 1.5	48 1.89	79 3.11	7 0.28	18 0.71	M 16	120 kN 26977 lbf	45.5 kN 10229 lbf	84 kN 18884 lbf	28.90 kN 6497 lbf	DIN 1810-A45-50
58 2.28	17.5 0.69	53 2.09	79 3.11	M 40 x 1.5	62 2.44	102 4.02	9 0.35	23 0.91	M 16	210 kN 47210 lbf	136 kN 30574 lbf	148 kN 33272 lbf	92.90 kN 20885 lbf	DIN 1810-A58-62
58 2.28	22 0.87	53 2.09	79 3.11	M 40 x 1.5	62 2.44	102 4.02	9 0.35	23 0.91	M 20	210 kN 47210 lbf	90 kN 20233 lbf	148 kN 33272 lbf	59.08 kN 13282 lbf	DIN 1810-A58-62
58 2.28	26 1.02	53 2.09	79 3.11	M 40 x 1.5	62 2.44	102 4.02	9 0.35	23 0.91	M 24	210 kN 47210 lbf	37 kN 8318 lbf	148 kN 33272 lbf	20.30 kN 4564 lbf	DIN 1810-A58-62
70 2.76	22 0.87	61 2.40	94 3.70	M 50 x 1.5	71 2.80	123 4.84	10 0.39	29 1.14	M 20	330 kN 74187 lbf	210 kN 47210 lbf	225 kN 50582 lbf	136.08 kN 30592 lbf	DIN 1810-A68-75
70 2.76	26 1.02	61 2.40	94 3.70	M 50 x 1.5	71 2.80	123 4.84	10 0.39	29 1.14	M 24	330 kN 74187 lbf	157 kN 35295 lbf	225 kN 50582 lbf	97.30 kN 21874 lbf	DIN 1810-A68-75
70 2.76	33 1.30	61 2.40	94 3.70	M 50 x 1.5	71 2.80	123 4.84	10 0.39	29 1.14	M 30	330 kN 74187 lbf	53 kN 11915 lbf	225 kN 50582 lbf	20.60 kN 4631 lbf	DIN 1810-A68-75
80 3.15	26 1.02	67 2.64	105 4.13	M 60 x 2	79 3.11	144 5.67	12 0.47	39 1.54	M 24	495 kN 111280 lbf	322 kN 72388 lbf	323 kN 72613 lbf	195.30 kN 43905 lbf	DIN 1810-A80-90
80 3.15	33 1.30	67 2.64	105 4.13	M 60 x 2	79 3.11	144 5.67	12 0.47	39 1.54	M 30	495 kN 111280 lbf	218 kN 49008 lbf	323 kN 72613 lbf	118.60 kN 26662 lbf	DIN 1810-A80-90
80 3.15	39 1.54	67 2.64	105 4.13	M 60 x 2	79 3.11	144 5.67	12 0.47	39 1.54	M 36	495 kN 111280 lbf	101 kN 22706 lbf	323 kN 72613 lbf	38.20 kN 8588 lbf	DIN 1810-A80-90