

4 Profile type

S Heavy

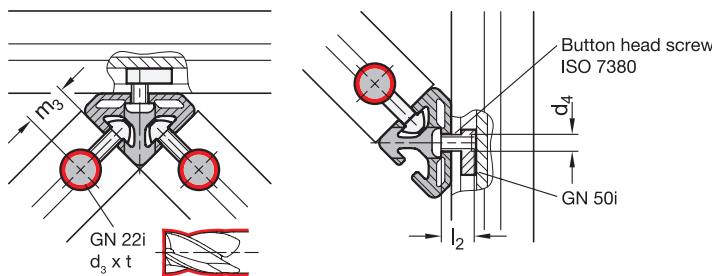
5 Identification no.

2 Single and double installation

6 Type

A Without fastening set

Assembly / profile machining



Metric table

| 1 s | 2 l ₁ | 3 n | d ₁ | d ₂ | d ₃ | d ₄ | h ₁ | h ₂ | l ₂ | m ₁ | m ₃ +0.5 | t +0.5 |
|------------|-------------------------|------------|----------------|----------------|----------------|----------------|----------------|----------------|----------------|----------------|---------------------|--------------|
| 30 1.18 | 30 1.18 | 6 0.24 | 6.5 0.26 | 11 0.43 | 16 0.63 | M 6 | 27.4 1.08 | 7.2 0.28 | 16 0.63 | - | 15 0.59 | 12.7 0.50 |
| 40 1.57 | 40 1.57 | 8 0.31 | 9 0.35 | 15 0.59 | 20 0.79 | M 8 | 34.9 1.37 | 4.5 0.18 | 16 0.63 | - | 20 0.79 | 16 0.63 |
| 60 2.36 | 30 1.18 | 6 0.24 | 6.5 0.26 | 11 0.43 | 16 0.63 | M 6 | 27.4 1.08 | 7.2 0.28 | 16 0.63 | 30 1.18 | 15 0.59 | 12.7 0.50 |
| 80 3.15 | 40 1.57 | 8 0.31 | 9 0.35 | 15 0.59 | 20 0.79 | M 8 | 34.9 1.37 | 4.5 0.18 | 16 0.63 | 40 1.57 | 20 0.79 | 16 0.63 |

Dimensions in: millimeters - inches

Specification

- Aluminum
Anodized finish, natural color
- RoHS



N

Accessory

- Universal connectors GN 22i → page QVX
- T-nuts GN 50i → page QVX

Information

Angle connectors GN 32i fasten single or double braces to aluminum profiles at an angle of 45°. The braces are fastened with universal connectors GN 22i. This requires the profile to be machined.

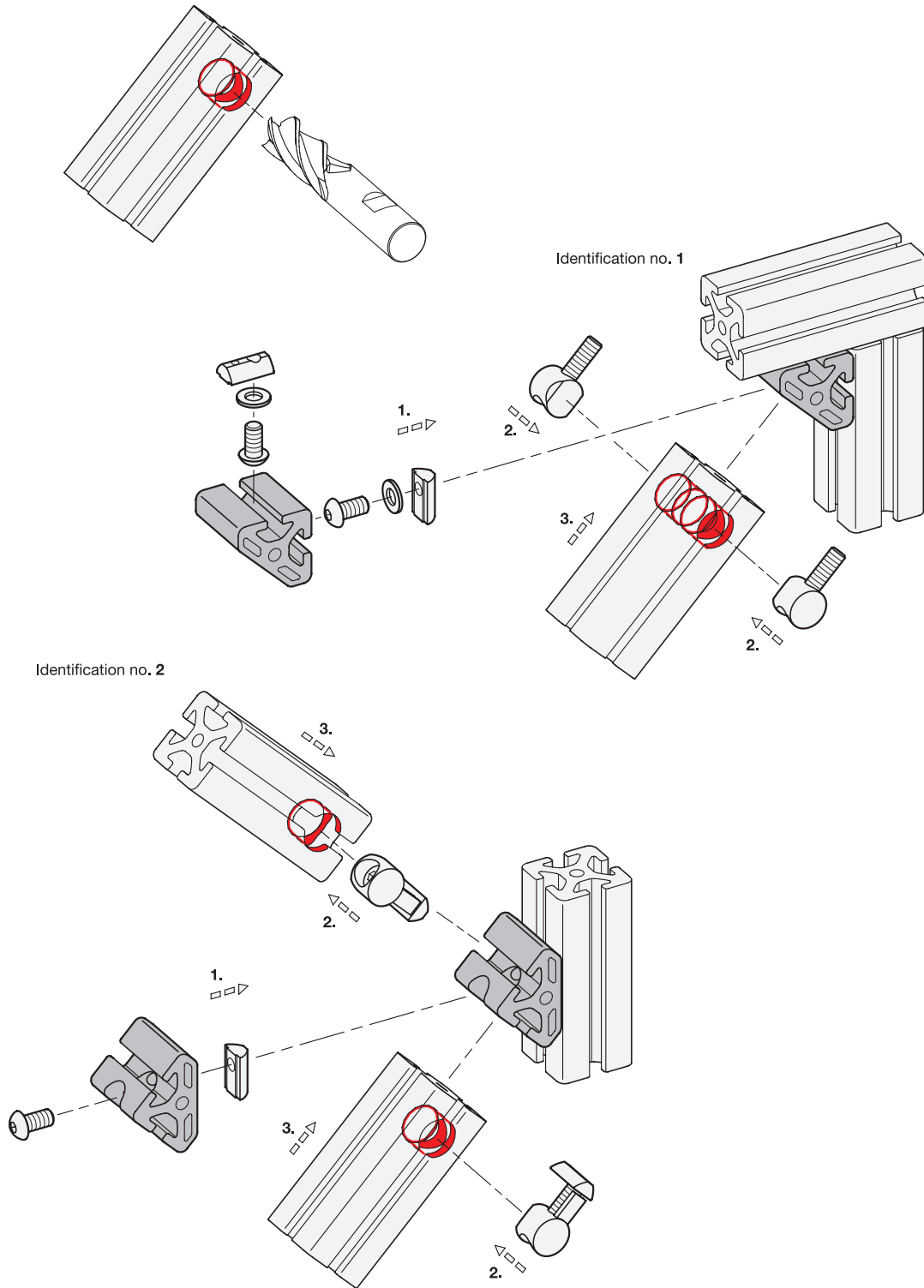
see also...

- Aluminum Profiles GN 10i (Profile Type Light) → page QVX
- Aluminum Profiles GN 10i (Profile Type Heavy) → page QVX
- Aluminum Profiles GN 11i (with Partially Closed Slots) → page QVX

| How to order | |
|--------------------------------|--|
| 1 Profile width s | |
| 2 Length l ₁ | |
| 3 Slot width n | |
| 4 Profile type | |
| 5 Identification no. | |
| 6 Type | |
| 7 Finish | |

GN 32i-30 30 6 S-2-A-N

Assembly Instructions / Profile Machining



3.1

3.2

3.3

3.4

3.5

3.6

3.7

3.8

3.9

3.10

