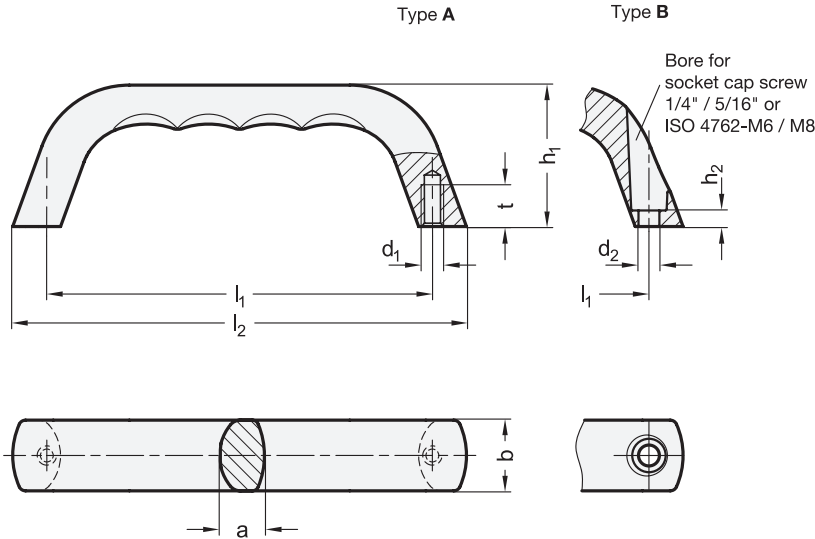


Metric



**2 Type**

- A** Mounting from the back (tapped blind hole)
- B** Mounting from the operator's side

**Metric table**

Dimensions in: millimeters / inches

<b>l<sub>1</sub></b>	<b>a</b>	<b>b</b>	<b>d<sub>1</sub></b> Type A	<b>d<sub>2</sub></b> Type B	<b>h<sub>1</sub></b>	<b>h<sub>2</sub></b>	<b>l<sub>2</sub></b>	<b>t</b>
120 4.72	14 0.55	22 0.87	M 6	6.5 0.26	44 1.73	5 0.20	141.2 5.56	13 0.51
140 5.51	18 0.71	28 1.10	M 8	8.5 0.33	55 2.17	6 0.24	166.5 6.56	17 0.67

**Specification**

**GN 328**

Aluminum die-cast

- Powder coated
- Black, RAL 9005, textured finish
- Silver, RAL 9006, textured finish
- Plain, tumbled finish

- **SW**
- **SR**
- **BL**

**GN 328.5**

Stainless steel precision casting AISI 316  
Matte shot-blasted finish

**GS**

RoHS

**On request**

- Other finishes

Cabinet U-handles GN 328 and GN 328.5 have excellent stability and ergonomic design. The finger recesses on the underside of the handle provide an especially comfortable grip. In combination with the larger cabinet U-handles GN 428, they meet the requirements of modern industrial design.

**see also...**

	<b>Page</b>
<b>GN 428</b> Cabinet U-Handles (Aluminum)	QVX
<b>GN 565</b> Cabinet U-Handles (Aluminum)	QVX

**Technical Information**

Load Capacity Information	QVX
Stainless Steel Characteristics	QVX

**How to order (Aluminum)**

**GN 328-120-A-SW**

- 1** Length l<sub>1</sub>
- 2** Type
- 3** Finish

**How to order (Stainless steel)**

**GN 328.5-140-B-GS**

- 1** Length l<sub>1</sub>
- 2** Type
- 3** Finish

1.1  
1.2  
1.3  
1.4  
2.1  
2.2  
2.3  
2.4

