

## GN 322.3

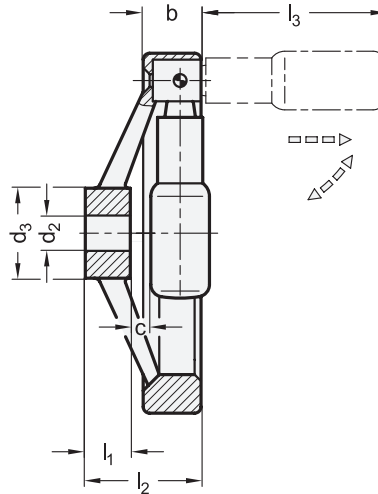
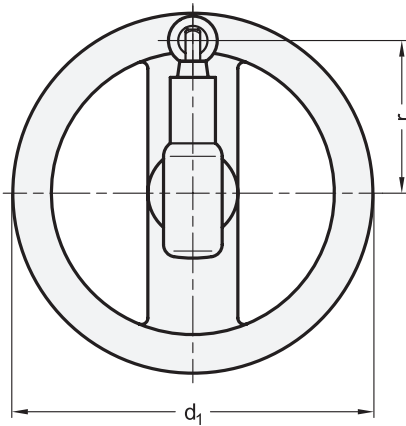
Locked Handle

## GN 322.7

Swiveling Handle

## Two Spoked Handwheels

Aluminum



Inch | Metric



### 2 Bore code

B Without keyway

### 4 Type

R With revolving retractable handle

### Specification

#### Body

Aluminum

- Contact face of hub machined
- Rim
  - Turned on all sides
  - Highly polished finish
  - Radial and axial runout < 0.4 mm
- Unmachined, matte shot-blasted finish

#### Retractable handle GN 798.3 for GN 322.3

Plastic, Polyamide (PA)

- Black, matte finish
- Retractable mechanism
  - Steel, blackened finish

#### Safety retractable handle GN 798.7 for GN 322.7

Plastic, Polyamide (PA)

- Black, matte finish
- Retractable mechanism
  - Steel
    - Spindle, 1.0718, blackened finish
    - Attachment part, sintered, blackened finish

RoHS

### On request

- Other modifications such as special inch and metric bores, keyways, set screw holes, etc.

### GN 322.3

The handle in these handwheels is locked in a conical bore in the operating position. For reversal, it must first be pulled from the cone in axial direction. A pressure spring holds the handle in both positions. When swung out, it automatically engages again.

### GN 322.7

These handwheels are suitable for applications where the handle must not remain in the operating position. In order to bring the handle into this position it has to be turned first through 90° to a stop against a torsion spring and then it is pushed against spring pressure into its hold position. By maintaining the forward thrust on the handle the handwheel can easily be rotated.

When releasing the handle the springs returns it back to the retracted position.

### Technical Information

	Page
Keyways WN 6885 / DIN 6885-1	QVX
Cross Holes GN 110	QVX
ISO Fundamental Tolerances	QVX
Plastic Characteristics	QVX

### Accessory

GN 184 Countersunk Washers (for Axial Fixing)	QVX
---	-----

### How to order (Inch, locked handle)

1 2 3 4  
**GN 322.3-125-B3/8-R**

1	Handwheel diameter $d_1$
2	Bore code
3	Bore diameter $d_2$
4	Type

### How to order (Metric, swiveling handle)

1 2 3 4  
**GN 322.7-160-B12-R**

1	Handwheel diameter $d_1$
2	Bore code
3	Bore diameter $d_2$
4	Type



### Inch table

Dimensions in: inches / millimeters

d <sub>1</sub>	d <sub>2</sub> H7 Bore				d <sub>3</sub>	b	c		l <sub>1</sub>	l <sub>2</sub>	l <sub>3</sub>		r	Ø Handle
	GN 322.3	GN 322.7	GN 322.3	GN 322.7			GN 322.3	GN 322.7						
4.92 125	3/8*	1/2	-		1.22 31	0.96 24.5	0.26 6.5	0.30 7.5	0.71 18	1.73 44	2.36 60	2.42 61.5	1.97 50	0.87 22
5.51 140	5/8	-	-		1.42 36	0.96 24.5	0.24 6	0.28 7	0.75 19	1.79 45.5	2.95 75	3.01 76.5	2.26 57.5	0.94 24
6.30 160	1/2	5/8	-		1.42 36	0.98 25	0.26 6.5	0.30 7.5	0.79 20	1.85 47	2.95 75	3.01 76.5	2.66 67.5	0.94 24
7.87 200	1/2*	5/8	3/4		1.65 42	0.98 25	0.30 7.5	0.33 8.5	0.94 24	2.07 52.5	3.35 85	3.41 86.5	3.31 84	0.98 25
9.84 250	1/2	5/8*	3/4	7/8**	1.89 48	1.04 26.5	0.47 12	0.51 13	1.10 28	2.40 61	3.35 85	3.41 86.5	4.37 111	0.98 25

\* Only available for GN 322.3    \*\* Only available for GN 322.7

### Metric table

Dimensions in: millimeters / inches

d <sub>1</sub>	d <sub>2</sub> H7 Bore				d <sub>3</sub>	b	c		l <sub>1</sub>	l <sub>2</sub>	l <sub>3</sub>		r	Ø Handle
	GN 322.3	GN 322.7	GN 322.3	GN 322.7			GN 322.3	GN 322.7						
125 4.92	12	-		31 1.22	24.5 0.96	6.5 0.26	7.5 0.30	18 0.71	44 1.73	60 2.36	61.5 2.42	50 1.97	22 0.87	
140 5.51	14	-		36 1.42	24.5 0.96	6 0.24	7 0.28	19 0.75	45.5 1.79	75 2.95	76.5 3.01	57.5 2.26	24 0.94	
160 6.30	14	16		36 1.42	25 0.98	6.5 0.26	7.5 0.30	20 0.79	47 1.85	75 2.95	76.5 3.01	67.5 2.66	24 0.94	
200 7.87	18	20		42 1.65	25 0.98	7.5 0.30	8.5 0.33	24 0.94	52.5 2.07	85 3.35	86.5 3.41	84 3.31	25 0.98	
250 9.84	22	-		48 1.89	26.5 1.04	12 0.47	13 0.51	28 1.10	61 2.40	85 3.35	86.5 3.41	111 4.37	25 0.98	