

# GN 319.2

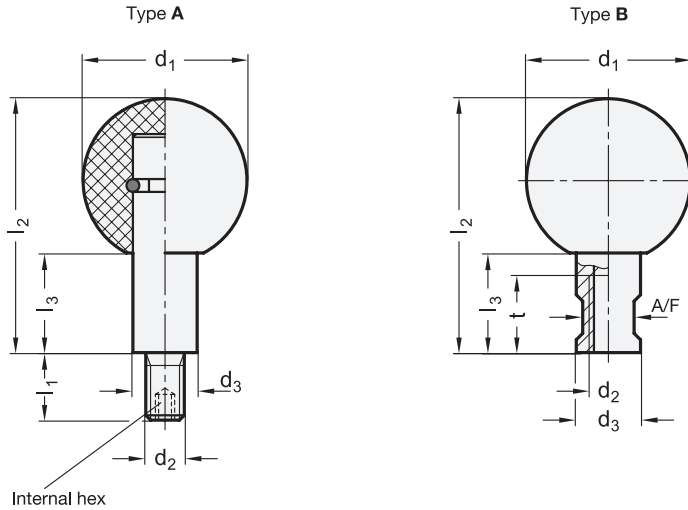
Steel Spindle

# GN 319.5

Stainless Steel Spindle

# Revolving Ball Knobs

Plastic, Long Shoulder Type



Inch | Metric



**SS** Stainless Steel

### 3 Type

- A** With threaded spindle
- B** With tapped hole

## Inch table

<b>1</b> $d_1$	<b>2</b> $d_2$	$d_3$	$l_1$	$l_2 \pm 0.04$	$l_3 \pm 0.04$	A/F	t min.
0.98 25	1/4 x 20	0.39 10	0.43 11	1.48 37.5	0.59 15	0.31 8	0.39 10
1.26 32	5/16 x 18	0.51 13	0.51 13	1.89 48	0.75 19	0.39 10	0.47 12
1.57 40	3/8 x 16	0.63 16	0.55 14	2.40 61	0.94 24	0.55 14	0.63 16
1.97 50	1/2 x 13	0.79 20	0.83 21	3.07 78	1.22 31	0.67 17	0.63 16

Dimensions in: inches / millimeters

## Metric table

<b>1</b> $d_1$	<b>2</b> $d_2$	$d_3$	$l_1$	$l_2 \pm 1$	$l_3 \pm 1$	A/F	t min.
25 0.98	M 6	10 0.39	11 0.43	37.5 1.48	15 0.59	8 0.31	10 0.39
32 1.26	M 8	13 0.51	13 0.51	48 1.89	19 0.75	10 0.39	12 0.47
40 1.57	M 10	16 0.63	14 0.55	61 2.40	24 0.94	14 0.55	16 0.63
50 1.97	M 12	20 0.79	21 0.83	78 3.07	31 1.22	17 0.67	16 0.63

Dimensions in: millimeters / inches

## Specification

### Knob

Plastic, Phenolic (PF)

- Operating temperature up to 230 °F (110 °C)
- Black, shiny finish

### GN 319.2

#### Spindle

Steel, zinc plated, blue passivated finish

### GN 319.5

#### Spindle

Stainless steel AISI 303

Matte shot-blasted finish

RoHS

Revolving ball knobs GN 319.2 / GN 319.5 are in general used where a pulling action is involved such as on vertically positioned handwheels.

see also...

**EN 597.1** Revolving Mushroom Shaped Knobs **Page**

QVX

### Technical Information

Plastic Characteristics QVX

Stainless Steel Characteristics QVX

How to order (Inch, steel)

**GN319.2-40-3/8X16-B**

- |          |                     |
|----------|---------------------|
| <b>1</b> | Ball diameter $d_1$ |
| <b>2</b> | Thread $d_2$        |
| <b>3</b> | Type                |

How to order (Metric, stainless steel)

**GN319.5-32-M8-B**

- |          |                     |
|----------|---------------------|
| <b>1</b> | Ball diameter $d_1$ |
| <b>2</b> | Thread $d_2$        |
| <b>3</b> | Type                |

1.1  
1.2  
1.3  
1.4  
1.2  
2.2  
2.3  
2.4

