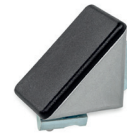


Metric



**4 Type**

C With fastening set and cover cap

Metric table

1 s		2 Length l		3 n	d	h <sub>1</sub>	h <sub>2</sub> ≈	k
Nominal dimension	Actual dimension	Nominal dimension	Actual dimension					
30 1.18	30 1.18	30 1.18	30 1.18	6 0.24	M 6	2.5 0.10	2 0.08	-
30 1.18	30 1.18	60 2.36	60 2.36	6 0.24	M 6	3.5 0.14	2 0.08	-
40 1.57	40 1.57	40 1.57	40 1.57	8 0.31	M 8	5 0.20	2 0.08	-
40 1.57	40 1.57	80 3.15	80 3.15	8 0.31	M 8	5 0.20	2 0.08	-
80 3.15	74 2.91	80 3.15	76 2.99	8 0.31	M 8	8 0.31	7 0.28	40 1.57

Dimensions in: millimeters / inches

**Specification**

**Angle bracket**

Zinc die-cast  
Painted, white aluminum **ZW**

**Screws / T-nuts**

Steel **SZ**  
Zinc plated, blue passivated finish

**Cover cap**

Plastic, Polyamide (PA)  
Black **S**

**RoHS**

**Technical Information**

Assembly Options / Application Examples QVX  
Plastic Characteristics QVX

Angle brackets GN 30i fasten aluminum profiles to objects such as tables and panels or at right angles to each other. Machining of the profile is not necessary.

The connection can be freely positioned and slid along the slot. To fasten the angle brackets to a panel or transversely to an aluminum profile, the guide steps must be broken off.

The cover caps ensure a visually appealing appearance and simplify cleaning.

see also...

	Page
<b>GN 30i</b> Angle Brackets (without Accessory)	QVX
<b>GN 10i</b> Aluminum Profiles (Profile Type Light)	QVX
<b>GN 10i</b> Aluminum Profiles (Profile Type Heavy)	QVX
<b>GN 11i</b> Aluminum Profiles (with Partially Closed Slots)	QVX

How to order

1	Width s
2	Length l
3	Slot width n
4	Type
5	Finish (Angle bracket)
6	Material (Fastening set)
7	Color of the cover cap

**GN 30i-80 808-C-ZW SZS**

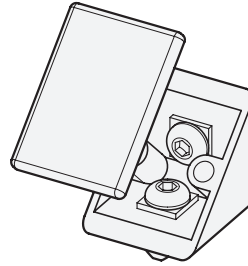
3.1  
3.2  
3.3  
3.4  
3.5  
3.6  
3.7  
3.8  
3.9  
3.10

# Angle Brackets

Assembly Instructions / Profile Machining GN 30i

3.1

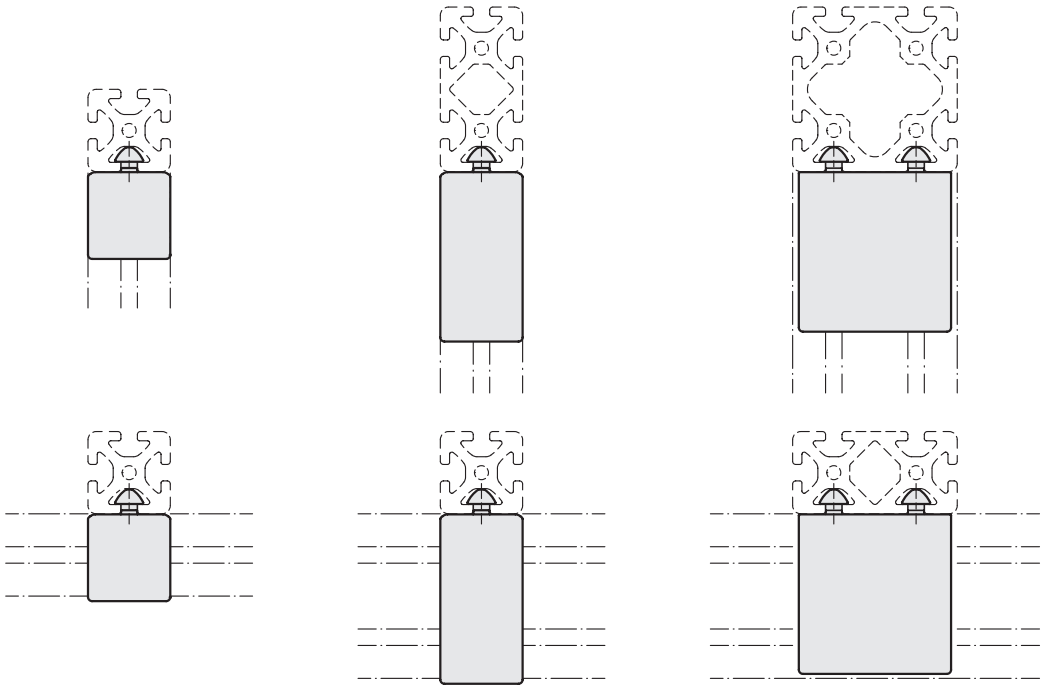
## Assembly of cover cap



3.2

3.3

## Use



3.4

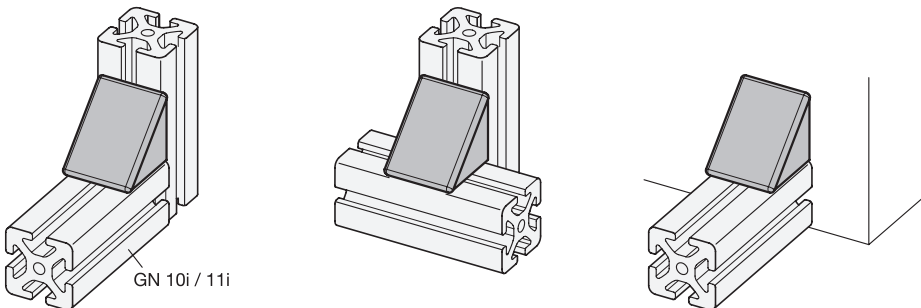
3.5

3.6

**3.7**

3.8

## Application examples



GN 10i / 11i

3.9

3.10

