

Metric



4 Type

A Without accessory

Metric table

1 s		2 Length l		3 n	d	h ₁	k
Nominal dimension	Actual dimension	Nominal dimension	Actual dimension		For screw		
30 1.18	30 1.18	30 1.18	30 1.18	6 0.24	M 6	2.5 0.10	-
30 1.18	30 1.18	60 2.36	60 2.36	6 0.24	M 6	3.5 0.14	-
40 1.57	40 1.57	40 1.57	40 1.57	8 0.31	M 8	5 0.20	-
40 1.57	40 1.57	80 3.15	80 3.15	8 0.31	M 8	5 0.20	-
80 3.15	74 2.91	80 3.15	76 2.99	8 0.31	M 8	8 0.31	40 1.57

Dimensions in: millimeters / inches

Specification

Zinc die-cast
Painted, white aluminum **ZW**
RoHS

Accessory

GN 50i T-Nuts QVX

Angle brackets GN 30i fasten aluminum profiles to objects such as tables and panels or at right angles to each other. Machining of the profile is not necessary.
The connection can be freely positioned and slid along the slot. To fasten the angle brackets to a panel or transversely to an aluminum profile, the guide steps must be broken off.

see also...	Page
GN 30i Angle Brackets (with Accessory)	QVX
GN 10i Aluminum Profiles (Profile Type Light)	QVX
GN 10i Aluminum Profiles (Profile Type Heavy)	QVX
GN 11i Aluminum Profiles (with Partially Closed Slots)	QVX

Technical Information

Assembly Options / Application Examples QVX

How to order	
1 Width s	
2 Length l	
3 Slot width n	
4 Type	
5 Finish	

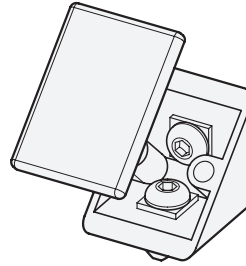
GN 30i-40 40 8-A-ZW

Angle Brackets

Assembly Instructions / Profile Machining GN 30i

3.1

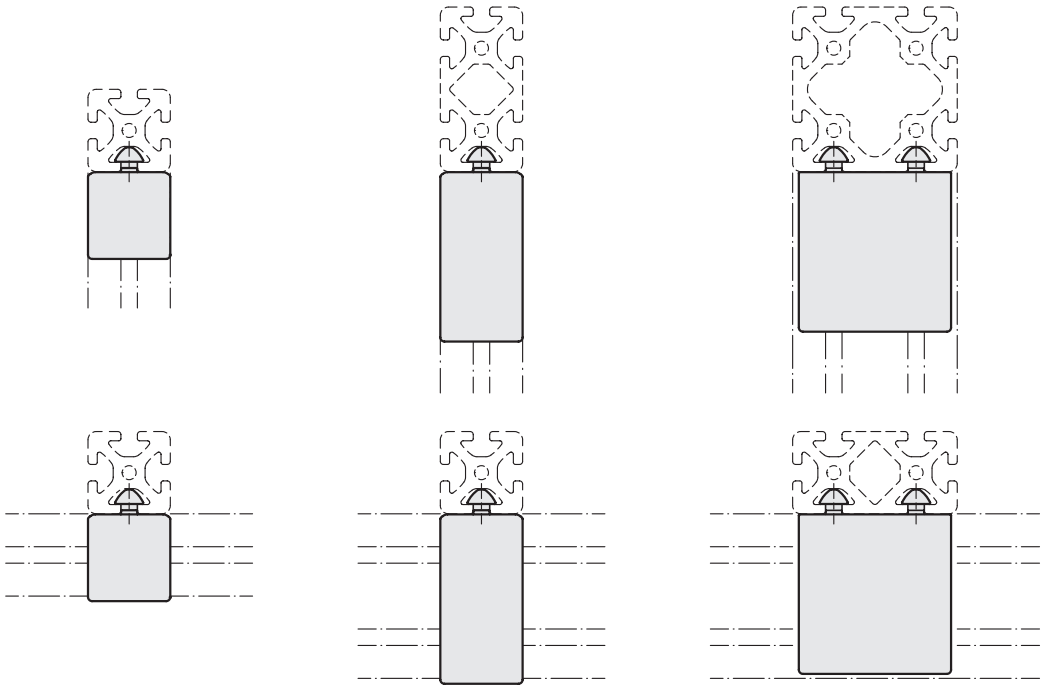
Assembly of cover cap



3.2

3.3

Use



3.4

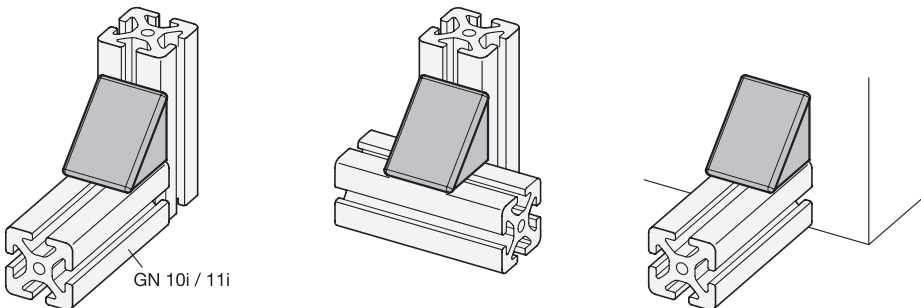
3.5

3.6

3.7

3.8

Application examples



3.9

3.10

