

3 Type

- W Housing for angular gears
- T Housing for T-gears

Metric table

Dimensions in: millimeters - inches

1 s	2 d Bore for linear actuator / transfer unit	l ₁	l ₂
28 1.10	B 18	60 2.36	90 3.54
40 1.57	B 30	84 3.31	126 4.96
50 1.97	B 40	108 4.25	162 6.38
60 2.36	B 50	128 5.04	190 7.48

Specification

- Housing
Aluminum gravity die-cast
Powder coated
Black, RAL 9005, textured finish
- Securing screws
Stainless steel
- RoHS compliant



Information

GN 298 housings for angular gears / T-gears are used in connection with GN 297 bevel-gear wheels and linear actuators / transfer units. The angular gears / T-gears are designed to deflect the rotary movement of a linear actuator / transfer unit by 90°.

An operating instruction with more details and specifications is included with every delivery.

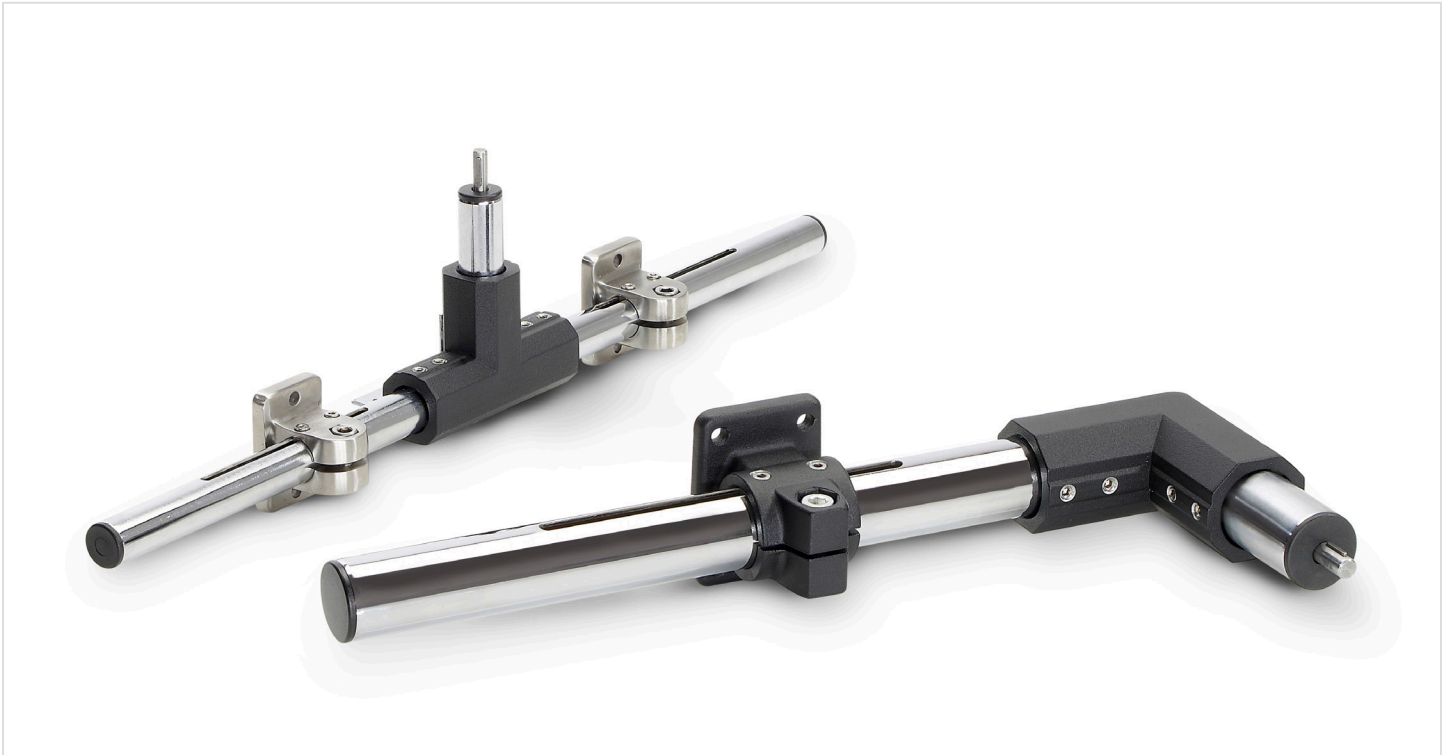
see also...

- Linear Actuators GN 291 / GN 292 / GN 293 → starting from page QVX
- Drive / Transfer Units GN 391 → page QVX
- Bevel-Gear Wheels GN 297 → page QVX
- Application Examples for Transfer Units and Angular Gears → page QVX

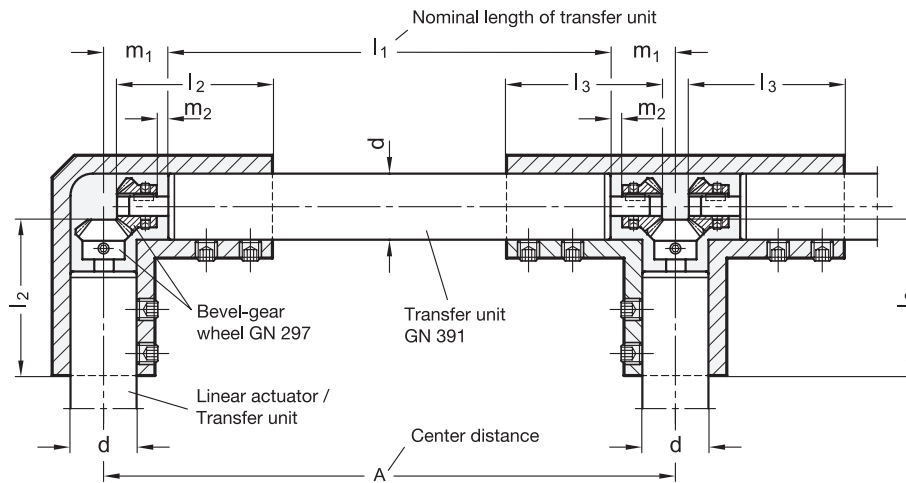
How to order

GN 298-40-B30-T-SW

- 1** Diameter s
- 2** Bore d
- 3** Type
- 4** Finish



Assembly of linear actuators and transfer units with bevel-gear wheels in housings GN 298



d Ø Linear actuator / transfer unit	l ₂	l ₃	m ₁	m ₂	Bevel-gear wheel	Housing	Length of the transfer unit GN 391: l ₁ = A - 2 x m ₁
18 0.71	41 1.61	40 1.57	20 0.79	4 0.16	GN 297-14.5-K6	GN 298-28-B18-W-SW GN 298-28-B18-T-SW	
30 1.18	58 2.28	57 2.24	26 1.02	1 0.04	GN 297-25-K8	GN 298-40-B30-W-SW GN 298-40-B30-T-SW	
40 1.57	75.5 2.97	73.5 2.89	32 1.26	1 0.04	GN 297-33-K12	GN 298-50-B40-W-SW GN 298-50-B40-T-SW	
50 1.97	90.5 3.56	87.5 3.44	32 1.26	1 0.04	GN 297-33-K12	GN 298-60-B50-W-SW GN 298-60-B50-T-SW	