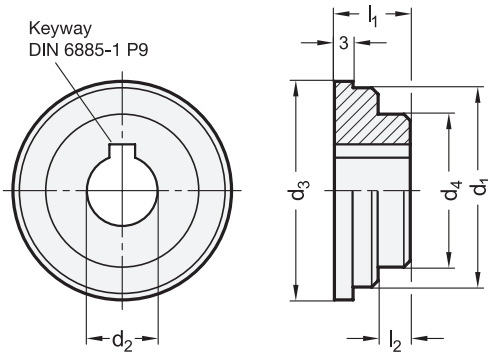
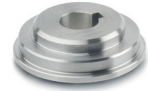
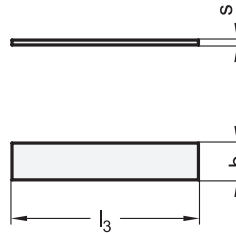


Metric

GN 268



GN 374



**Metric table**

Dimensions in: millimeters / inches

d <sub>1</sub> f7 0.945	d <sub>2</sub> H7 Bore with keyway				s	b	d <sub>3</sub>	d <sub>4</sub>	l <sub>1</sub>	l <sub>2</sub>	l <sub>3</sub>	Scale ring set consists of: 2 collar bushings GN 268 and 1 scale ring body 3 flat springs	
	-	-	-	-								GN 264-30	GN 374-0.3-10
32 1.260	K 12	K 14	K 16	-	0.4 0.02	10 0.39	35.7 1.41	25 0.98	13.5 0.53	5.5 0.22	29 1.14	GN 264-40	GN 374-0.4-10
50 1.969	K 12	K 16	K 20	K 28	0.6 0.02	10 0.39	54.7 2.15	38 1.50	14.5 0.57	5.5 0.22	45 1.77	GN 264-60	GN 374-0.6-10
68 2.677	K 12	K 14	K 16	K 22	0.8 0.03	10 0.39	74.7 2.94	50 1.97	14.5 0.57	5.5 0.22	60 2.36	GN 264-80	GN 374-0.8-10

**Specification**

Steel  
Plain finish  
RoHS

Two collar bushings GN 268 along with three flat springs GN 374 are required to complete one scale ring set GN 264.

see also...	Page
GN 264 Scale Rings (with Scale)	QVX
GN 264 Scale Rings (without Scale)	QVX

**Technical Information**

Keyways WN 6885 / DIN 6885-1	QVX
ISO Fundamental Tolerances	QVX

How to order (Collar bushing)	
<b>GN 268-32-K16</b>	1 Outside diameter d <sub>1</sub>
	2 Bore d <sub>2</sub>

How to order	
<b>GN 374-0.3-10</b>	1 Thickness s
	2 Width b