

Metric



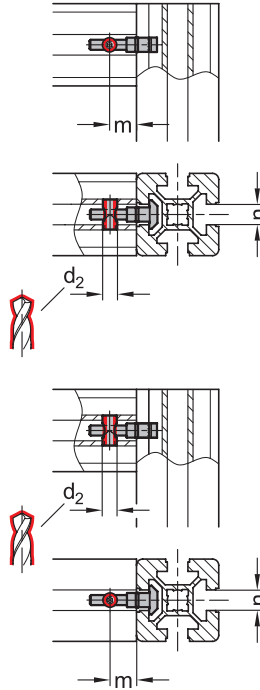
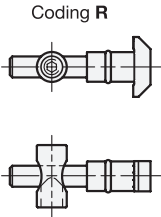
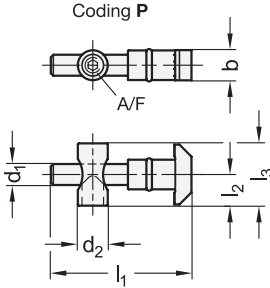
2 Type

S Symmetrical mounting stud

3 Coding

P Parallel T-nut
R Right-angle T-nut

Assembly / profile machining



Metric table

Dimensions in: millimeters / inches

1 n	5 Bundle Pieces	b	d ₁	d ₂	l ₁ ≈	l ₂	l ₃	m	A/F	Tightening torque in Nm
10 0.39	4	10 0.39	6.8 0.27	10 0.39	46 1.81	10.3 0.41	20 0.79	22.5 0.89	3	6

Specification

Steel, zinc plated, blue passivated finish

RoHS



SZ

Quick release connectors GN 25b fasten aluminum profiles together at right angles. Only one profile has to be machined.

The connection can be freely positioned and slid along the slot. The internal hex used for clamping is situated for especially easy access.

If panels are used, they must be suitably pocketed depending on the type, coding and installation orientation.

Quick release connectors of type S are used when the slot is to be closed by a cover profile.

Quick release connectors are supplied in bundles. The table shows the quantity included in each bundle.

see also...

	Page
GN 10b Aluminum Profiles (Profile Type Light)	QVX
GN 10b Aluminum Profiles (Profile Type Heavy)	QVX

Technical Information

Assembly Instructions / Profile Machining QVX

How to order

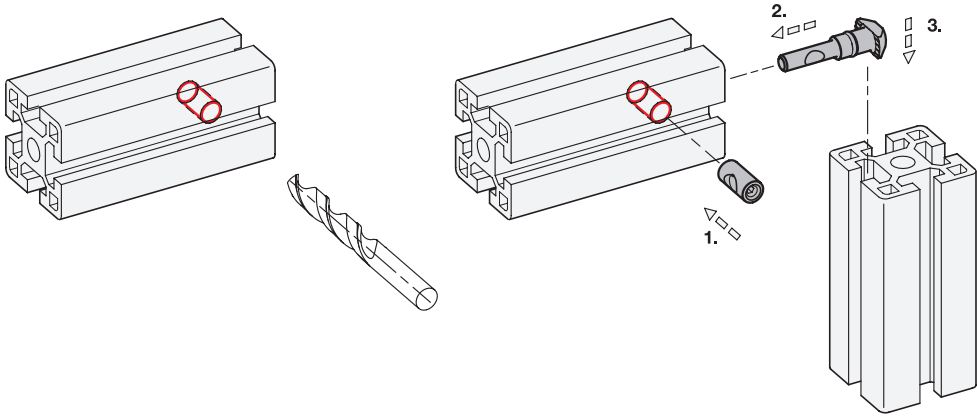
1 Slot width n
2 Type
3 Coding
4 Material / Finish
5 Bundle

GN 25b-10-S-R-SZ-4

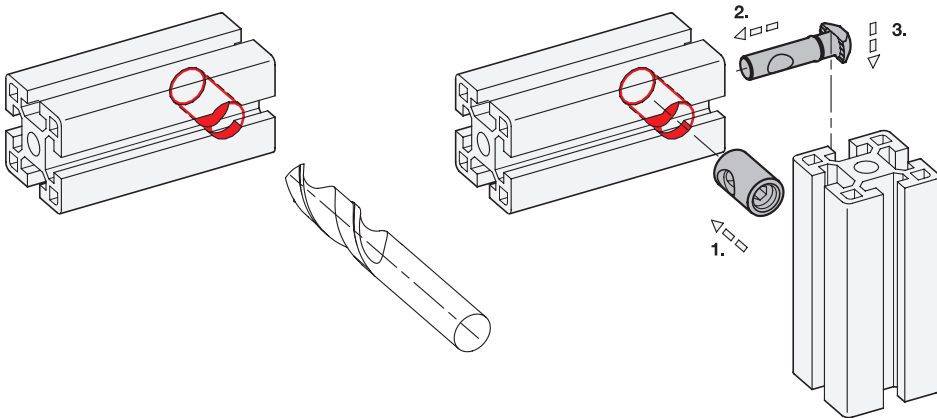
Quick Release Connectors

Assembly Instructions / Profile Machining GN 25b Technical Instructions

Type S



Type A



3.1

3.2

3.3

3.4

3.5

3.6

3.7

3.8

3.9

3.10

