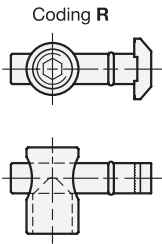
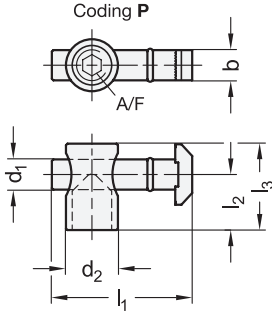
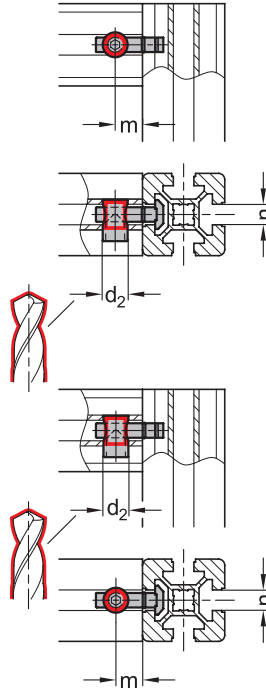


Metric



Assembly / profile machining



2 Type

A Asymmetrical mounting stud

3 Coding

P Parallel T-nut
R Right-angle T-nut

Metric table

Dimensions in: millimeters / inches

n	Bundle Pieces	b	d ₁	d ₂	l ₁ ≈	l ₂ ≈	l ₃	m	A/F	Tightening torque in Nm
8 0.31	4	8 0.31	6.8 0.27	11 0.43	33 1.30	14.2 0.56	20 0.79	18 0.71	4	12
10 0.39	4	10 0.39	9.8 0.39	17 0.67	45.5 1.79	18.4 0.72	28 1.10	22.5 0.89	6	25

Specification

Steel, zinc plated, blue passivated finish

RoHS



SZ

Quick release connectors GN 25b fasten aluminum profiles together at right angles. Only one profile has to be machined. The connection can be freely positioned and slid along the slot. The internal hex used for clamping is situated for especially easy access. If panels are used, they must be suitably pocketed depending on the type, coding and installation orientation. Quick release connectors are supplied in bundles. The table shows the quantity included in each bundle.

see also...

GN 10b Aluminum Profiles (Profile Type Light)	QVX
GN 10b Aluminum Profiles (Profile Type Heavy)	QVX

Technical Information

Assembly Instructions / Profile Machining	QVX
---	-----

How to order

GN 25b-10-A-P-SZ-4

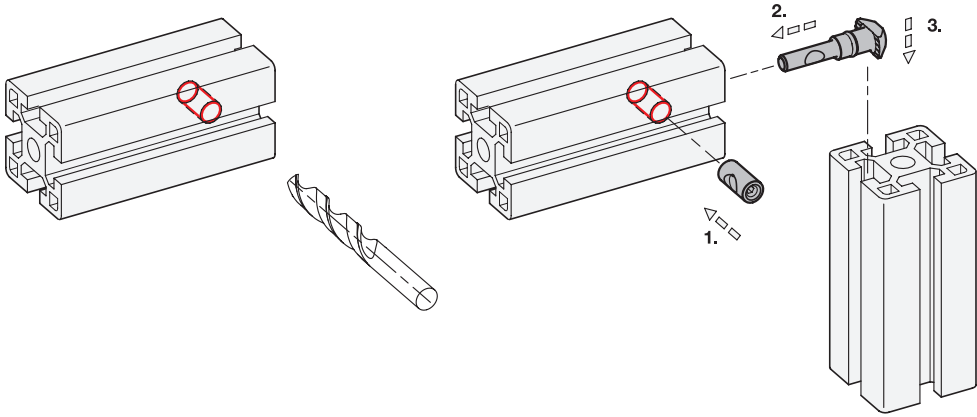
1	Slot width n
2	Type
3	Coding
4	Material / Finish
5	Bundle

3.1
3.2
3.3
3.4
3.5
3.6
3.7
3.8
3.9
3.10

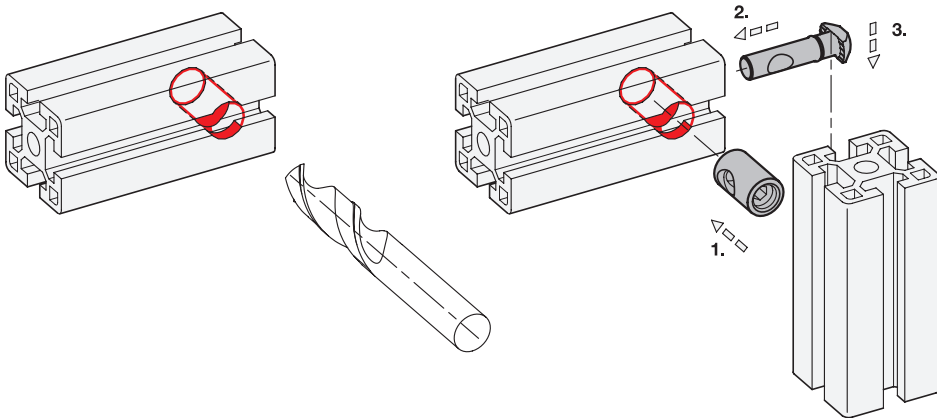
Quick Release Connectors

Assembly Instructions / Profile Machining GN 25b Technical Instructions

Type S



Type A



3.1

3.2

3.3

3.4

3.5

3.6

3.7

3.8

3.9

3.10

