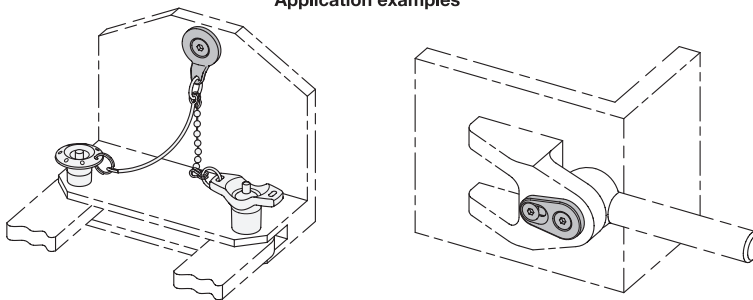


SS Stainless Steel

**4** Type

- E** With eyelet
- L** With mounting shackle

**Application examples**



**Metric table**

Dimensions in: millimeters - inches

d <sub>1</sub>	d <sub>2</sub>	d <sub>3</sub>	d <sub>4</sub>	d <sub>5</sub>	h	l <sub>1</sub>	l <sub>2</sub>	l <sub>3</sub>	l <sub>4</sub>	l <sub>5</sub>	s <sub>1</sub>	s <sub>2</sub>	Suitable key ring Ø for type E		
4.3 0.17	12 0.47	9.2 0.36	2.5 0.10	6 0.24	7 0.28	13.5 0.53	10.8 0.43	18 0.71	10 0.39	2 0.08	3 0.12	4 0.16	14 0.55	-	-
4.3 0.17	15 0.59	9.2 0.36	2.5 0.10	6.3 0.25	7 0.28	15 0.59	12.3 0.48	21 0.83	11 0.43	4 0.16	3 0.12	4 0.16	14 0.55	-	-
5.3 0.21	17 0.67	11.5 0.45	3 0.12	7.2 0.28	7 0.28	18.5 0.73	15 0.59	23 0.91	12 0.47	4 0.16	4 0.16	4.5 0.18	14 0.55	18 0.71	-
5.3 0.21	22 0.87	11.5 0.45	3 0.12	7.5 0.30	9 0.35	21 0.83	17.5 0.69	28 1.10	15 0.59	6 0.24	4 0.16	4.5 0.18	14 0.55	18 0.71	-
6.4 0.25	26 1.02	13.7 0.54	3.5 0.14	8.1 0.32	9 0.35	24 0.94	20.3 0.80	31 1.22	17 0.67	6 0.24	4 0.16	5 0.20	14 0.55	18 0.71	24 0.94

**Specification**

- Retaining washer  
Stainless steel AISI 316LHC **NI**
- Type E: metal injection molded, tumbled finish
- Type L: sintered, tumbled finish
- [Stainless Steel Characteristics](#) → page 2143
- [RoHS compliant](#)

**Accessory**

- Ball chains GN 111 / GN 111.5 → page 1236
- Retaining cables GN 111.2 → page 1238
- Spiral retaining cables GN 111.4 → page 1237
- Key rings GN 111.3 → page 1240

**Information**

GN 2344 retaining washers are universally usable standard parts.

Type E is suitable for use in connection with retaining cables and ball chains to mount other standard or securing parts in order to prevent loss.

Type L is suitable, for example, for mounting bolts or axles, which can thereby simultaneously be secured in an axial and also in a radial position.

see also...

- [Assembly Pins GN 2342](#) → page 1076

<p>How to order</p> <p><b>GN 2344-NI-4.3-15-E</b></p>	<b>1</b> Material
	<b>2</b> Diameter d <sub>1</sub>
	<b>3</b> Diameter d <sub>2</sub>
	<b>4</b> Type