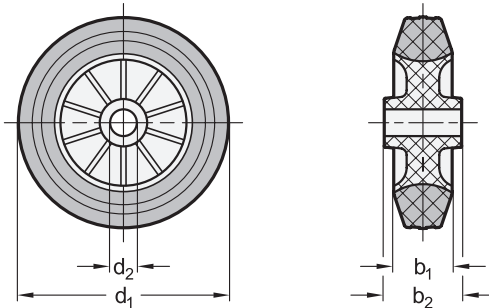


Metric



elesa
Original design RE.E2

2 Bearing type

G Friction bearing

3 Bracket type

A Wheel without bracket

Metric table



Dimensions in: millimeters / inches

d ₁ Wheel Ø	b	b ₂	d ₂	Recommended ergonomic max. load	Max. static load capacity	Max. dynamic load capacity
80 3.15	25 0.98	39 1.54	12 0.47	500 N 112 lbf	1500 N 337 lbf	650 N 146 lbf
100 3.94	30 1.18	44 1.73	12 0.47	750 N 169 lbf	2000 N 450 lbf	800 N 180 lbf
125 4.92	37.5 1.48	44 1.73	15 0.59	850 N 191 lbf	2250 N 506 lbf	1100 N 247 lbf
150 5.91	40 1.57	44 1.73	15 0.59	1000 N 225 lbf	2750 N 618 lbf	1300 N 292 lbf
180 7.09	45 1.77	59 2.32	20 0.79	1300 N 292 lbf	3500 N 787 lbf	1800 N 405 lbf
200 7.87	50 1.97	59 2.32	20 0.79	1400 N 315 lbf	4000 N 899 lbf	2250 N 506 lbf

Specification

Wheel tread

- Rubber
- Vulcanized
- Black
- Hardness 80 Shore A

Wheel core

Plastic, polypropylene (PP)

Operating temperature

-4 °F to +140 °F (-20 °C to +60 °C)

RoHS

Wheels EN 22873 are used in industrial and public indoor and outdoor areas for moving transport carts, for example.

The wheel tread is suitable for all floor types. It is gentle on floors and good at overcoming obstacles. Tread wear may occur on rough floors.

see also...

	Page
EN 22873 Medium Duty Casters (with Bracket, Light Version)	QVX
EN 22872 Wheels (Thermoplastic Elastomer Wheel Tread)	QVX
EN 22874 Wheels (Rubber Wheel Tread, Steel Sheet Metal Wheel Core)	QVX
EN 22875 Wheels (Rubber Wheel Tread, Aluminum Wheel Core)	QVX

Technical Information

Operating Conditions of Wheels and Casters	QVX
Technical Information for Wheels and Casters	QVX
Plastic Characteristics	QVX

How to order

EN 22873-180-G-A

- 1** Wheel diameter d₁
- 2** Bearing type
- 3** Bracket type

3.1
3.2
3.3
3.4
3.5
3.6
3.7
3.8
3.9
3.10