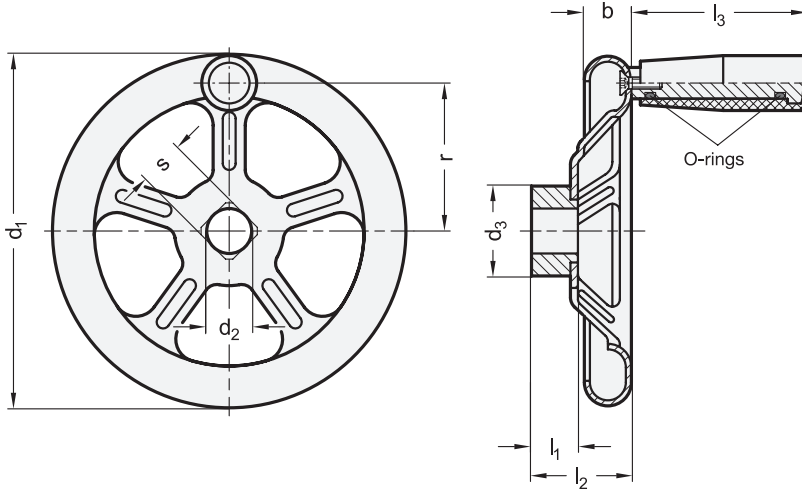


Inch | Metric



**SS** Stainless Steel

**3 Bore code**

- B** Without keyway
- K** With keyway
- V** With square

**5 Type**

- A** Without handle
- D** With revolving handle (only for stainless steel A4)

**Specification**

<b>Body</b>		<b>1</b>	<b>6</b>
• Steel	<b>ST</b>		
- Powder coated			
Black, RAL 9005, textured finish	<b>SW</b>		
- Steel sheet metal wheel body			
- Hub welded to body			
• Stainless steel AISI 316L	<b>A4</b>		
- Matte shot-blasted finish	<b>GS</b>		
- Stainless steel sheet metal wheel body			
- Hub welded to body			

**Revolving handle** similar to GN 598.2 at A4

- Plastic, phenolic resin (PF)
- Black, shiny finish
- Threaded spindle
- Stainless steel AISI 316L
- O-rings
- Acrylnitril butadiene rubber (NBR)

RoHS

**On request**

Other modifications such as special through holes, square broached holes larger than listed, special keyways, set screw holes, and cross holes

<b>Accessory</b>	<b>Page</b>
GN 184 Countersunk Washers (for Axial Fixing)	QVX

Spoked handwheels GN 228 made from stainless steel sheet metal are renowned for their high mechanical strength and unaffected by shocks and knocks. The hub lengths  $l_1$  and the diameter  $d_3$  conform to DIN 950.

The stainless steel version is suitable for applications in highly corrosive environments due to the AISI 316L materials used.

On the revolving handles of type D, the O-rings minimize the radial play, protect the handle bearing from penetrating dirt and prevent noises resulting from vibration.

<b>see also...</b>	<b>Page</b>
GN 950.6 Three Spoked Handwheels (Stainless Steel)	QVX
GN 949 Three Spoked Handwheels (Stainless Steel)	QVX
DIN 950 Spoked Handwheels (Cast Iron / Aluminum)	QVX

**Technical Information**

Keyways WN 6885 / DIN 6885-1	QVX
Square Bores WN 79	QVX
Cross Holes GN 110	QVX
ISO Fundamental Tolerances	QVX
Plastic Characteristics	QVX
Stainless Steel Characteristics	QVX

<b>How to order (Inch)</b>	<b>1 Material</b>
	<b>2 Handwheel diameter <math>d_1</math></b>
	<b>3 Bore code</b>
	<b>4 Bore diameter <math>d_2</math> (Square s)</b>
	<b>5 Type</b>
	<b>6 Finish (Color)</b>
<p><b>GN 228-A4-125- B 1/2-A-GS</b></p>	

<b>How to order (Metric)</b>	<b>1 Material</b>
	<b>2 Handwheel diameter <math>d_1</math></b>
	<b>3 Bore code</b>
	<b>4 Square s (Bore diameter <math>d_2</math>)</b>
	<b>5 Type</b>
	<b>6 Color (Finish)</b>
<p><b>GN 228-ST-160- V 12-A-SW</b></p>	

1.1  
1.2  
1.3  
1.4  
2.1  
2.2  
2.3  
2.4



## Inch table

Dimensions in: inches / millimeters

<b>d<sub>1</sub></b>	<b>d<sub>2</sub> H9 Bore</b>	<b>s H11 Square</b>	<b>b</b>	<b>d<sub>3</sub></b>	<b>l<sub>1</sub></b>	<b>l<sub>2</sub> ≈</b>	<b>l<sub>3</sub></b>	<b>r</b>	<b>Ø Handle</b>	No. of spokes	Sheet metal thickness
4.92* 125	1/2	V 1/2	0.71 18	1.18 30	0.71 18	1.14 29	-	-	-	3	0.06 1.5
6.30 160	1/2	V 1/2	0.87 22	1.18 30	0.79 20	1.46 37	3.15 80	2.68 68	1.02 26	4	0.06 1.5
7.87 200	5/8	V 5/8	0.87 22	1.57 40	0.94 24	1.81 46	3.15 80	3.46 88	1.02 26	4	0.10 2.5
9.84 250	3/4	V 3/4	1.18 30	1.77 45	1.10 28	2.05 52	3.54 90	4.25 108	1.10 28	5	0.10 2.5
12.40 315	3/4	V 3/4	1.38 35	2.17 55	1.30 33	2.52 64	3.54 90	5.43 138	1.10 28	5	0.10 2.5
15.75 400	1.00	V 1.00	1.57 40	2.56 65	1.50 38	3.23 82	3.54 90	7.05 179	1.10 28	5	0.12 3

## Metric table

Dimensions in: millimeters / inches

<b>d<sub>1</sub></b>	<b>d<sub>2</sub> H9 Bore</b>	<b>s H11 Square</b>	<b>b</b>	<b>d<sub>3</sub></b>	<b>l<sub>1</sub></b>	<b>l<sub>2</sub> ≈</b>	<b>l<sub>3</sub></b>	<b>r</b>	<b>Ø Handle</b>	No. of spokes	Sheet metal thickness
125* 4.92	11	V 11	18 0.71	30 1.18	18 0.71	29 1.14	-	-	-	3	1.5 0.06
160 6.30	12	V 12	22 0.87	30 1.18	20 0.79	37 1.46	80 3.15	68 2.68	26 1.02	4	1.5 0.06
200 7.87	14	V 14	22 0.87	40 1.57	24 0.94	46 1.81	80 3.15	88 3.46	26 1.02	4	2 0.08
250 9.84	17	V 17	30 1.18	45 1.77	28 1.10	52 2.05	90 3.54	108 4.25	28 1.10	5	2.5 0.10
315 12.40	19	V 19	35 1.38	55 2.17	33 1.30	64 2.52	90 3.54	138 5.43	28 1.10	5	2.5 0.10
400 15.75	24	V 24	40 1.57	65 2.56	38 1.50	82 3.23	90 3.54	179 7.05	28 1.10	5	3 0.12

\*Only available in type A