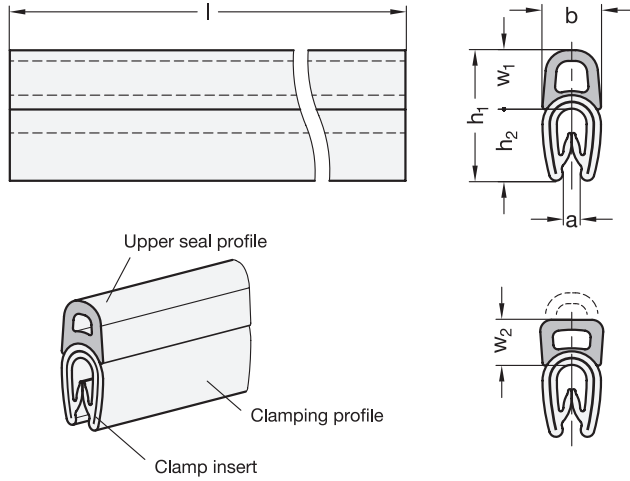
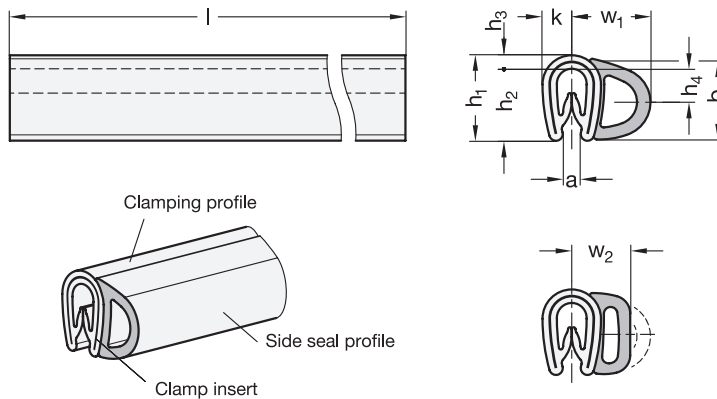


Type A



Type D



Metric



2 Type

- A Upper seal profile
- D Side seal profile

Specification

- Clamping profile
Polyvinyl Chloride (PVC)
- Black
- Hardness 70±5 Shore A
- Sealing profile
Ethylene propylene diene rubber (EPDM)
- Black
- Hardness 25±5 Shore A
- Clamp insert
Steel clamping band
- Temperature resistant from -40 °F to +194 °F
(-40 °C to +90 °C)
- Weather resistant
- *Elastomer Characteristics* → page 2135
- *Plastic Characteristics* → page 2135
- [RoHS compliant](#)

Information

GN 2182 edge protection seal profiles can be used to seal doors, covers and hatches. The profiles are pressed by hand onto the front of metal sheets and plates. The embedded clamp insert prevents detachment. Glue or other adhesives are not required.

When assembled, the profile should deform slightly according to w_2 . This ensures an optimal seal. Adherence to the guideline placement radii (r_1 to r_4) is recommended in order to ensure a tight profile seal and to make assembly easier.

see also...

- *Technical Information* → page 1313
- *Edge Protection Seal Profiles GN 2180* → page 1316
- *Edge Protection Profiles GN 2184* → page 1322

How to order

GN2182-9.5-D-20

- | | |
|---|--------------|
| 1 | Height h_1 |
| 2 | Type |
| 3 | Length l |

Metric table

Dimensions in: millimeters - inches

Type A

h ₁	Length l in meters		a Clamping range	b	h ₂	r ₁	r ₂	r ₃	w ₁	w ₂ At up to 50% of permissible deformation
	20	50								
14.5 0.57	20	50	1 - 2 0.04 - 0.08	6.5 0.26	8 0.31	40 1.57	20 0.79	10 0.39	6.5 0.26	5.25 0.21

Type D

h ₁	Length l in meters		a Clamping range	b	h ₂	h ₃	h ₄	k	r ₁	r ₂	r ₃	r ₄	w ₁	w ₂ At up to 50% of permissible deformation
	20	50												
9.5 0.37	20	50	1 - 2 0.04 - 0.08	9 0.35	8 0.31	1.5 0.06	4 0.16	3.25 0.13	15 0.59	20 0.79	30 1.18	50 1.97	8.75 0.34	6.75 0.27

