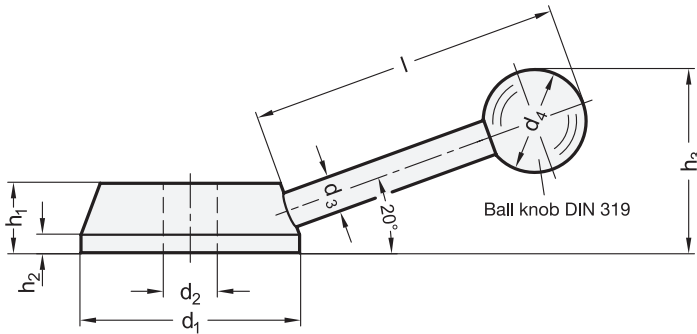


Metric



- 2 Bore code**
- B** Without keyway
 - K** With keyway
 - V** With square

Metric table

1 d_1	3 d_2 Bore H7 Square H11	d_3	d_4	h_1	h_2	$h_3 \approx$	Length $l \approx$
50 1.97	12 0.472	8 0.31	20 0.79	17 0.67	5 0.20	45 1.77	82 3.23
55 2.17	14 0.551	10 0.39	25 0.98	18 0.71	5 0.20	52 2.05	96 3.78
65 2.56	16 0.630	12 0.47	30 1.18	20 0.79	5 0.20	60 2.36	110 4.33
80 3.15	20 0.787	14 0.55	35 1.38	24 0.94	6 0.24	74 2.91	138 5.43

Dimensions in: millimeters / inches

Specification

Hub / Shaft

Steel
Blackened finish

Ball knob DIN 319

Plastic, phenolic resin (PF)
Black, shiny finish

RoHS

On request

- Special inch and metric bores, threads or keyways

Control levers GN 211 are supplied with a large hub diameter, therefore it is easy to add a spring plunger or grooves for angular positioning.

Technical Information

	Page
Keyways WN 6885 / DIN 6885-1	QVX
Square Bores WN 79	QVX
ISO Fundamental Tolerances	QVX
Plastic Characteristics	QVX

How to order

GN211-65-B16

1	Diameter d_1
2	Bore code
3	Bore d_2 (Keyway, Square)

1.1
1.2
1.3
1.4
2.1
2.2
2.3
2.4

