

2 Type

D Doubled

3 Coding

C With screw

Metric table

Dimensions in: millimeters - inches

1 n	5 Bundle Pieces	b	d ₁	d ₂	h ₁ ≈	h ₂ ≈	Length l ≈	A/F in mm	t	Tightening torque in Nm
6 0.24	4	13 0.51	M 6	5.5 0.22	12 0.47	7.5 0.30	28.5 1.12	4	15 0.59	10
8 0.31	4	17 0.67	M 8	7 0.28	18 0.71	10 0.39	35 1.38	5	18 0.71	25

Specification

- Steel, zinc plated, blue passivated finish **SZ**
- RoHS

Information

Standard connectors GN 20i fasten aluminum profiles at right angles and secure them against twisting. This requires machining of both profiles. The internal thread can be cut directly into the end face profile holes.

If panels are used in the slot, they must be suitably pocketed.

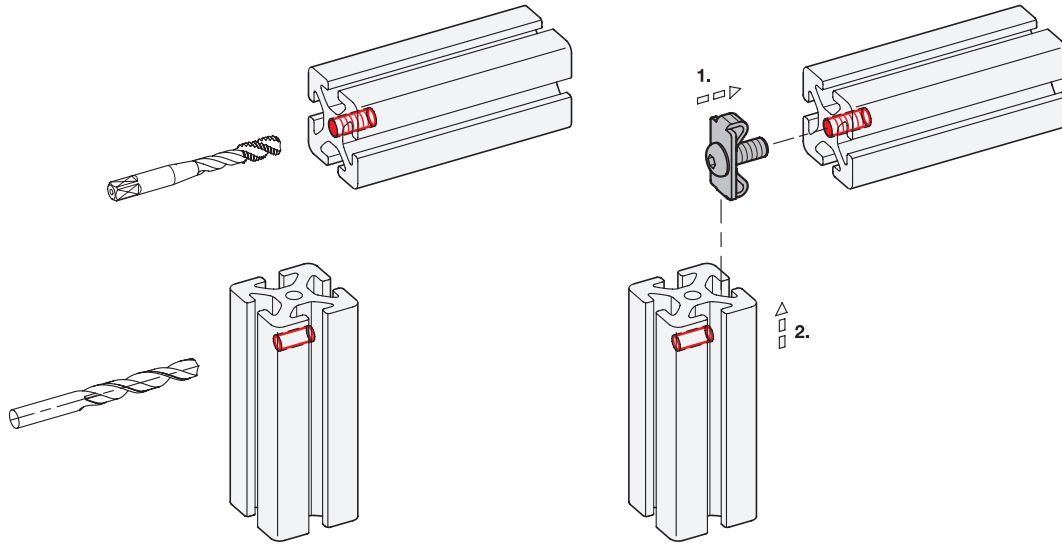
Standard connectors are supplied in bundles. The table shows the quantity included in each bundle.

see also...

- Aluminum Profiles GN 10i (Profile Type Light) → page QVX
- Aluminum Profiles GN 10i (Profile Type Heavy) → page QVX
- Aluminum Profiles GN 11i (with Partially Closed Slots) → page QVX

<p>How to order</p> <p>1 2 3 4 5</p> <p>GN 20i-8-D-C-SZ-4</p>	1 Slot width n
	2 Type
	3 Coding
	4 Material / Finish
	5 Bundle

Assembly Instructions / Profile Machining



3.1

3.2

3.3

3.4

3.5

3.6

3.7

3.8

3.9

3.10

