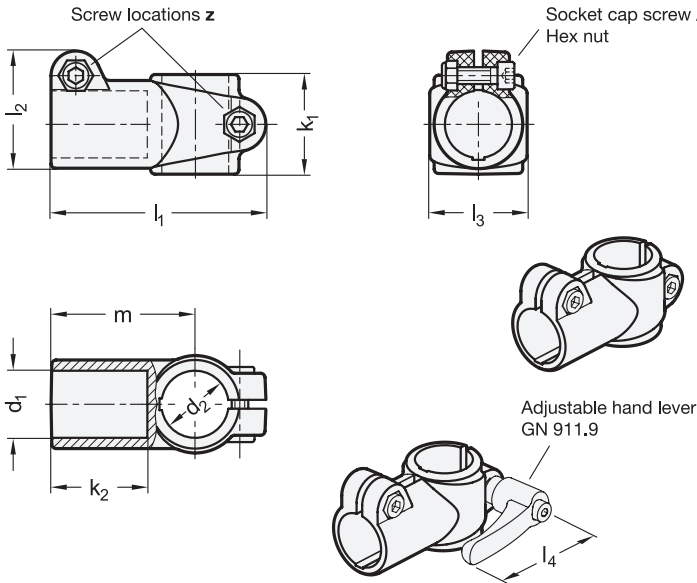


Metric



elesa

Original design TCC-TS / TCC-TS-VD



4 Identification no.

- 2 With 2 stainless steel socket cap screws ISO 4762

Metric table

| 1 d ₁ Bore | 2 d ₂ Bore | 3 k ₁ Clamping length | k ₂ Clamping length | l ₁ | l ₂ | l ₃ | m | z Screw locations for screw size | Accessory Recommended levers GN 911.9 for z l ₄ |
|---------------------------------|---------------------------------|--|-----------------------------------|----------------|----------------|----------------|--------------|-------------------------------------|---|
| B 18 | B 18 | 29 1.14 | 30.5 1.20 | 65 2.56 | 34 1.34 | 29 1.14 | 43.5 1.71 | M6-18 | 44 1.73 63 2.48 |
| B 30 | B 30 | 44 1.73 | 45.5 1.79 | 96 3.78 | 53 2.09 | 44 1.73 | 64.5 2.54 | M8-25 | 63 2.48 78 3.07 |

Dimensions in: millimeters / inches

Specification

Connector clamp

Plastic, Polyamide (PA)

- Glass fiber reinforced
- Operating temperature -4 °F to +212 °F (-20 °C to +100 °C)

• Color

- Black, RAL 9005, matte finish
 - Gray, RAL 7040, matte finish
 - Blue, RAL 5005, matte finish
- FDA compliant material
Visually detectable

- S
- G
- V

Socket cap screws ISO 4762

Stainless steel AISI 304

Hex nuts DIN 985

Stainless steel AISI 304

Self-locking with polyamide ring

RoHS

Accessory

| | |
|--|-----|
| GN 990 Construction Tubes (Aluminum / Stainless Steel) | QVX |
| EN 290 Adapter Bushings | QVX |
| GN 911.9 Adjustable Levers | QVX |

The clamping bores axes of the T-angle connector clamps EN 192.9 lie in the same plane, arranged in a T-shape. They hold typical construction tubes with full surface contact over the entire cross-section of the bore.

At the screw locations z, the socket cap screws reduce the bore cross-section for clamping. Adapter bushings EN 290 can be used to reduce the bore cross-sections to a smaller diameter.

For clamping without tools, the socket cap screws can be replaced by the adjustable levers GN 911.9 listed in the table as accessories.

The plastic used in version V is made from blue, visually detectable and FDA compliant plastic granulate as per FDA CFR.21 and EU 10/2011.

| see also... | Page |
|---|------|
| GN 192 T-Angle Connector Clamps (Aluminum) | QVX |
| GN 192.5 T-Angle Connector Clamps (Stainless Steel) | QVX |

Technical Information

| | |
|---------------------------------|-----|
| Load Rating | QVX |
| Plastic Characteristics | QVX |
| Stainless Steel Characteristics | QVX |

How to order

| |
|---|
| 1 Bore d ₁ |
| 2 Bore d ₂ |
| 3 Clamping length k ₁ |
| 4 Identification no. |
| 5 Color |

EN 192.9-B30-B30-44-2-S