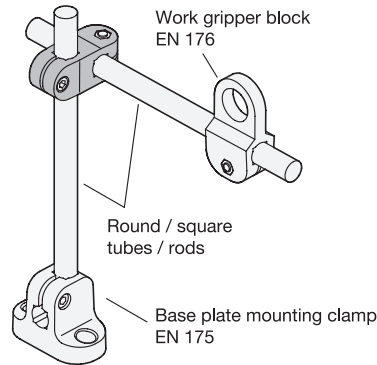


Application example



Metric



elesa
Original design MSX.

Metric table

Dimensions in: millimeters - inches

¹ d ₁ Bore	² d ₂ Bore	k	Length l	m	s ₁ Square	s ₂ Square
B 10	B 10	21 0.83	52 2.05	17 0.67	V 8	V 8
B 12	B 12	21 0.83	52 2.05	17 0.67	V 10	V 10
B 14	B 14	21 0.83	52 2.05	17 0.67	V 12	V 12

Specification

- Body
Plastic
Technopolymer (Polyamide)
- Glass fiber reinforced
- Temperature resistant up to 140 °F (60 °C)
- Black, matte finish
- Socket cap screws DIN 912
Stainless steel AISI 304
- Hex nuts ISO 4032
Stainless steel AISI 304
- *Plastic Characteristics* → page XYZ
- *Stainless Steel Characteristics* → page XYZ
- **RoHS compliant**

Information

- see also...
- *Two-Way Mounting Clamps EN 747 (Aluminum)* → page XYZ
 - *Rods / Tubes GN 480.1* → page XYZ
 - *Base Plate Mounting Clamps EN 175* → page XYZ

How to order

¹ ²
EN 174- B10- B10

- ¹ Bore d₁
- ² Bore d₂