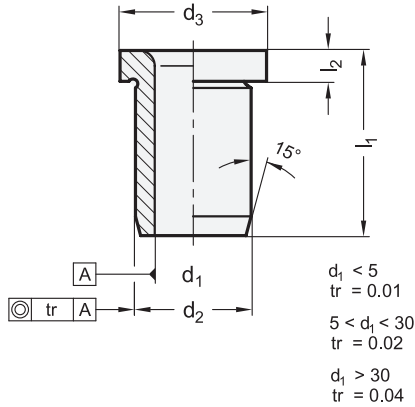
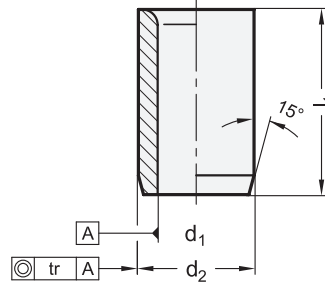


DIN 172



DIN 179



Metric



3 Type

A Bore filleted on one side

Specification

Steel

- Hardened (HRC 62 ±2)
- Fit surface d_1 and d_2 precision machined

RoHS

On request

- Other bores d_1
- Top and bottom side of the bore hole d_1 filleted (Type B)
- Inch sizes

Press-fit drill bushings DIN 172 and DIN 179 are characterized by the tight dimensional and positional tolerances in connection with the hardened and precision machined surface. As a result, they are suitable for extremely universal use in many applications.

Holes with tolerance H7 are recommended for installing the bushings. In connection with the outer diameter of the bushing with a tolerance of n6, this results in a preferably used transition fit.

For applications involving positioning, we recommend using these drill bushings together with locating pins GN 771.1.

see also...

	Page
DIN 172 Press-Fit Drill Bushings (Stainless Steel)	QVX
DIN 179 Press-Fit Drill Bushings (Stainless Steel)	QVX
GN 172.1 Press-Fit Guide Bushings (with Conical Bore)	QVX
GN 179.1 Press-Fit Guide Bushings (with Conical Bore)	QVX
GN 771.1 Locating Pins	QVX
GN 817.3 Indexing Plungers (for Precision Locating)	QVX
GN 817.5 Indexing Plungers (for Precision Locating)	QVX

Technical Information

ISO Fundamental Tolerances	QVX
----------------------------	-----

How to order (With flange)

DIN 172-B4.7-16-A

- 1 Bore d_1
- 2 Length l_1
- 3 Type

How to order (Without flange)

DIN 179-B32.5-45-A

- 1 Bore d_1
- 2 Length l_1
- 3 Type

Metric table

1										2			Dimensions in: millimeters / inches			
d ₁ F7										l ₁			d ₂ n6	d ₃	l ₂	
..._0	..._1	..._2	..._3	..._4	..._5	..._6	..._7	..._8	..._9							
-	-	-	-	-	-	B 0.6	B 0.7	B 0.8	-	6	-	-	3	6	2	
										0.24			0.118	0.24	0.08	
-	-	-	-	-	-	-	-	-	B 0.9	6	9	-	3	6	2	
										0.24	0.35		0.118	0.24	0.08	
B 1	-	-	-	-	-	-	-	-	-	6	9	-	3	6	2	
										0.24	0.35		0.118	0.24	0.08	
-	B 1.1	B 1.2	B 1.3	B 1.4	B 1.5	B 1.6	B 1.7	B 1.8	-	6	9	-	4	7	2	
										0.24	0.35		0.157	0.28	0.08	
-	-	-	-	-	-	-	-	-	B 1.9	6	9	-	5	8	2	
										0.24	0.35		0.197	0.31	0.08	
B 2	B 2.1	B 2.2	B 2.3	B 2.4	B 2.5	B 2.6	-	-	-	6	9	-	5	8	2	
										0.24	0.35		0.197	0.31	0.08	
-	-	-	-	-	-	-	B 2.7	B 2.8	B 2.9	8	12	16	6	9	2.5	
										0.31	0.47	0.63	0.236	0.35	0.10	
B 3	B 3.1	B 3.2	B 3.3	-	-	-	-	-	-	8	12	16	6	9	2.5	
										0.31	0.47	0.63	0.236	0.35	0.10	
-	-	-	-	B 3.4	B 3.5	B 3.6	B 3.7	B 3.8	B 3.9	8	12	16	7	10	2.5	
										0.31	0.47	0.63	0.276	0.39	0.10	
B 4	-	-	-	-	-	-	-	-	-	8	12	16	7	10	2.5	
										0.31	0.47	0.63	0.276	0.39	0.10	
-	B 4.1	B 4.2	B 4.3	B 4.4	B 4.5	B 4.6	B 4.7	B 4.8	B 4.9	8	12	16	8	11	2.5	
										0.31	0.47	0.63	0.315	0.43	0.10	
B 5	-	-	-	-	-	-	-	-	-	8	12	16	8	11	2.5	
										0.31	0.47	0.63	0.315	0.43	0.10	
-	B 5.1	B 5.2	B 5.3	B 5.4	B 5.5	B 5.6	B 5.7	B 5.8	B 5.9	10	16	20	10	13	3	
										0.39	0.63	0.79	0.394	0.51	0.12	
B 6	-	-	-	-	-	-	-	-	-	10	16	20	10	13	3	
										0.39	0.63	0.79	0.394	0.51	0.12	
-	B 6.1	B 6.2	B 6.3	B 6.4	B 6.5	B 6.6	B 6.7	B 6.8	B 6.9	10	16	20	12	15	3	
										0.39	0.63	0.79	0.472	0.59	0.12	
B 7	B 7.1	B 7.2	B 7.3	B 7.4	B 7.5	B 7.6	B 7.7	B 7.8	B 7.9	10	16	20	12	15	3	
										0.39	0.63	0.79	0.472	0.59	0.12	
B 8	-	-	-	-	-	-	-	-	-	10	16	20	12	15	3	
										0.39	0.63	0.79	0.472	0.59	0.12	
-	B 8.1	B 8.2	B 8.3	B 8.4	B 8.5	B 8.6	B 8.7	B 8.8	B 8.9	12	20	25	15	18	3	
										0.47	0.79	0.98	0.591	0.71	0.12	
B 9	B 9.1	B 9.2	B 9.3	B 9.4	B 9.5	B 9.6	B 9.7	B 9.8	B 9.9	12	20	25	15	18	3	
										0.47	0.79	0.98	0.591	0.71	0.12	
B 10	-	-	-	-	-	-	-	-	-	12	20	25	15	18	3	
										0.47	0.79	0.98	0.591	0.71	0.12	
-	B 10.1	B 10.2	B 10.3	B 10.4	B 10.5	B 10.6	B 10.7	B 10.8	B 10.9	12	20	25	18	22	4	
										0.47	0.79	0.98	0.709	0.87	0.16	
B 11	B 11.1	B 11.2	B 11.3	B 11.4	B 11.5	B 11.6	B 11.7	B 11.8	B 11.9	12	20	25	18	22	4	
										0.47	0.79	0.98	0.709	0.87	0.16	
B 12	-	-	-	-	-	-	-	-	-	12	20	25	18	22	4	
										0.47	0.79	0.98	0.709	0.87	0.16	
-	B 12.1	B 12.2	B 12.3	B 12.4	B 12.5	B 12.6	B 12.7	B 12.8	B 12.9	16	28	36	22	26	4	
										0.63	1.10	1.42	0.866	1.02	0.16	
B 13	B 13.1	B 13.2	B 13.3	B 13.4	B 13.5	B 13.6	B 13.7	B 13.8	B 13.9	16	28	36	22	26	4	
										0.63	1.10	1.42	0.866	1.02	0.16	
B 14	B 14.1	B 14.2	B 14.3	B 14.4	B 14.5	B 14.6	B 14.7	B 14.8	B 14.9	16	28	36	22	26	4	
										0.63	1.10	1.42	0.866	1.02	0.16	
B 15	-	-	-	-	-	-	-	-	-	16	28	36	22	26	4	
										0.63	1.10	1.42	0.866	1.02	0.16	
-	B 15.1	-	-	-	B 15.5	-	-	-	-	16	28	36	26	30	4	
										0.63	1.10	1.42	1.024	1.18	0.16	
B 16	B 16.1	-	-	-	B 16.5	-	-	-	-	16	28	36	26	30	4	
										0.63	1.10	1.42	1.024	1.18	0.16	
B 17	-	-	-	-	B 17.5	-	-	-	-	16	28	36	26	30	4	
										0.63	1.10	1.42	1.024	1.18	0.16	
B 18	-	-	-	-	-	-	-	-	-	16	28	36	26	30	4	
										0.63	1.10	1.42	1.024	1.18	0.16	

Metric table

1										2						Dimensions in: millimeters / inches		
d ₁ F7										l ₁			d ₂ n6	d ₃	l ₂			
..._0	..._1	..._2	..._3	..._4	..._5	..._6	..._7	..._8	..._9									
-	-	-	-	-	B 18.5	-	-	-	-	20 0.79	36 1.42	45 1.77	30 1.181	34 1.34	5 0.20			
B 19	-	-	-	-	B 19.5	-	-	-	-	20 0.79	36 1.42	45 1.77	30 1.181	34 1.34	5 0.20			
B 20	-	-	-	-	B 20.5	-	-	-	-	20 0.79	36 1.42	45 1.77	30 1.181	34 1.34	5 0.20			
B 21	-	-	-	-	B 21.5	-	-	-	-	20 0.79	36 1.42	45 1.77	30 1.181	34 1.34	5 0.20			
B 22	-	-	-	-	-	-	-	-	-	20 0.79	36 1.42	45 1.77	30 1.181	34 1.34	5 0.20			
-	-	-	-	-	B 22.5	-	-	-	-	20 0.79	36 1.42	45 1.77	35 1.378	39 1.54	5 0.20			
B 23	-	-	-	-	B 23.5	-	-	-	-	20 0.79	36 1.42	45 1.77	35 1.378	39 1.54	5 0.20			
B 24	-	-	-	-	B 24.5	-	-	-	-	20 0.79	36 1.42	45 1.77	35 1.378	39 1.54	5 0.20			
B 25	-	-	-	-	B 25.5	-	-	-	-	20 0.79	36 1.42	45 1.77	35 1.378	39 1.54	5 0.20			
B 26	-	-	-	-	-	-	-	-	-	20 0.79	36 1.42	45 1.77	35 1.378	39 1.54	5 0.20			
-	-	-	-	-	B 26.5	-	-	-	-	25 0.98	45 1.77	56 2.20	42 1.654	46 1.81	5 0.20			
B 27	-	-	-	-	B 27.5	-	-	-	-	25 0.98	45 1.77	56 2.20	42 1.654	46 1.81	5 0.20			
B 28	-	-	-	-	B 28.5	-	-	-	-	25 0.98	45 1.77	56 2.20	42 1.654	46 1.81	5 0.20			
B 29	-	-	-	-	B 29.5	-	-	-	-	25 0.98	45 1.77	56 2.20	42 1.654	46 1.81	5 0.20			
B 30	-	-	-	-	-	-	-	-	-	25 0.98	45 1.77	56 2.20	42 1.654	46 1.81	5 0.20			
-	-	-	-	-	B 30.5	-	-	-	-	25 0.98	45 1.77	56 2.20	48 1.890	52 2.05	5 0.20			
B 31	-	-	-	-	B 31.5	-	-	-	-	25 0.98	45 1.77	56 2.20	48 1.890	52 2.05	5 0.20			
B 32	-	-	-	-	B 32.5	-	-	-	-	25 0.98	45 1.77	56 2.20	48 1.890	52 2.05	5 0.20			
B 33	-	-	-	-	B 33.5	-	-	-	-	25 0.98	45 1.77	56 2.20	48 1.890	52 2.05	5 0.20			
B 34	-	-	-	-	B 34.5	-	-	-	-	25 0.98	45 1.77	56 2.20	48 1.890	52 2.05	5 0.20			
B 35	-	-	-	-	-	-	-	-	-	25 0.98	45 1.77	56 2.20	48 1.890	52 2.05	5 0.20			
B 36	-	-	-	-	-	-	-	-	-	30 1.18	56 2.20	67 2.64	55 2.165	59 2.32	5 0.20			
B 37	-	-	-	-	-	-	-	-	-	30 1.18	56 2.20	67 2.64	55 2.165	59 2.32	5 0.20			
B 38	-	-	-	-	-	-	-	-	-	30 1.18	56 2.20	67 2.64	55 2.165	59 2.32	5 0.20			
B 39	-	-	-	-	-	-	-	-	-	30 1.18	56 2.20	67 2.64	55 2.165	59 2.32	5 0.20			
B 40	-	-	-	-	-	-	-	-	-	30 1.18	56 2.20	67 2.64	55 2.165	59 2.32	5 0.20			
B 41	-	-	-	-	-	-	-	-	-	30 1.18	56 2.20	67 2.64	55 2.165	59 2.32	5 0.20			
B 42	-	-	-	-	-	-	-	-	-	30 1.18	56 2.20	67 2.64	55 2.165	59 2.32	5 0.20			

3.1
3.2
3.3
3.4
3.5
3.6
3.7
3.8
3.9
3.10

