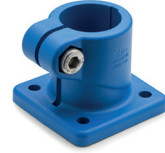
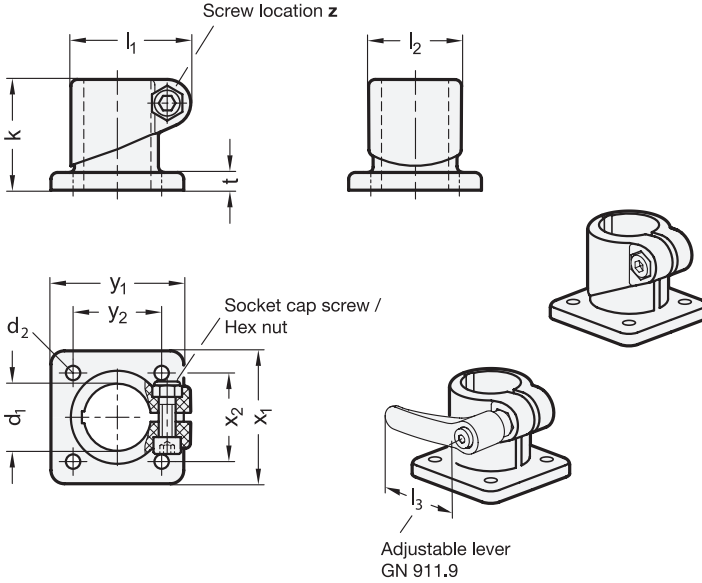


Metric



elesa
Original design TCC-AB / TCC-AB-VD



- 3 Identification no.**
- 2** With stainless steel socket cap screw ISO 4762

Metric table

d₁ Bore	k Clamping length	d₂	l₁	l₂	t	x₁	x₂	y₁	y₂	z Screw location for screw size	Accessory Recom. lever GN 911.9 for z l₃	
B 18	34 1.34	5.3 0.21	36.5 1.44	26 1.02	5 0.20	45 1.77	30 1.18	45 1.77	30 1.18	M6-18	44 1.73	63 2.48
B 30	50 1.97	6.5 0.26	53.5 2.11	42 1.65	8 0.31	60 2.36	40 1.57	60 2.36	40 1.57	M8-25	63 2.48	78 3.07

Dimensions in: millimeters / inches

Specification

Connector clamp

- Plastic, Polyamide (PA)
- Glass fiber reinforced
- Operating temperature
-4 °F to +212 °F (-20 °C to +100 °C)
- Color
 - Black, RAL 9005, matte finish
 - Gray, RAL 7040, matte finish
 - Blue, RAL 5005, matte finish
- FDA compliant material
- Visually detectable

- **SW**
- **GR**
- **VDB**

Socket cap screw ISO 4762

Stainless steel AISI 304

Hex nut DIN 985

Stainless steel AISI 304

Self-locking with polyamide ring

RoHS

Accessory

GN 990 Construction Tubes (Aluminum / Stainless Steel)	QVX
EN 290 Adapter Bushings	QVX
GN 911.9 Adjustable Levers	QVX

The clamping bore axis of the base plate connector clamps EN 163.9 is perpendicular to the surface of the flange. It holds typical construction tubes with full surface contact over the entire cross-section of the bore. At the screw location z, the socket cap screw reduces the bore cross-section for clamping. Adapter bushings EN 290 can be used to reduce the bore cross-sections to a smaller diameter. For clamping without tools, the socket cap screw can be replaced by one of the adjustable levers GN 911.9 listed in the table as accessories. The plastic used in version VDB is made from blue, visually detectable and FDA compliant plastic granulate as per FDA CFR.21 and EU 10/2011.

see also...

	Page
GN 163 Base Plate Connector Clamps (Aluminum)	QVX
GN 163.5 Base Plate Connector Clamps (Stainless Steel)	QVX

Technical Information

Load Rating	QVX
Plastic Characteristics	QVX
Stainless Steel Characteristics	QVX

How to order

1 Bore d₁
2 Clamping length k
3 Identification no.
4 Color

EN 163.9-B30-50-2-SW

3.1
3.2
3.3
3.4
3.5
3.6
3.7
3.8
3.9
3.10