

5 Identification no.

- 1 Without safety adjustable levers
- 2 With safety adjustable levers

Metric table

Dimensions in: millimeters - inches														
I ₁	1 m ₁		3 m ₂		d ₁	d ₂	h ₁	h ₂	h ₃	h ₄	l ₂	l ₃	l ₄	For profile widths s ₁ - s ₂
	Nominal dimension	Actual dimension	Nominal dimension	Actual dimension										
54	17	17.5	17	17.5	6.5	8	16	8	16	38	36	27	44	30 - 30
	2.13	0.67	0.67	0.69	0.26	0.31	0.63	0.31	0.63	1.50	1.42	1.06	1.73	1.18 - 1.18
64	17	17.5	22	22.5	6.5	8	16	8	16	38	36	27	44	30 - 40
	2.52	0.67	0.87	0.89	0.26	0.31	0.63	0.31	0.63	1.50	1.42	1.06	1.73	1.18 - 1.57
69	17	17.5	25	25	6.5	8	16	8	16	38	36	27	44	30 - 45
	2.72	0.67	0.98	0.98	0.26	0.31	0.63	0.31	0.63	1.50	1.42	1.06	1.73	1.18 - 1.77
84	17	17.5	32	32.5	6.5	8	16	8	16	38	36	27	44	30 - 60
	3.31	0.67	1.26	1.28	0.26	0.31	0.63	0.31	0.63	1.50	1.42	1.06	1.73	1.18 - 2.36
74	22	22.5	22	22.5	6.5	8	16	8	16	38	36	37	44	40 - 40
	2.91	0.87	0.87	0.89	0.26	0.31	0.63	0.31	0.63	1.50	1.42	1.46	1.73	1.57 - 1.57
79	22	22.5	25	25	6.5	8	16	8	16	38	36	37	44	40 - 45
	3.11	0.87	0.98	0.98	0.26	0.31	0.63	0.31	0.63	1.50	1.42	1.46	1.73	1.57 - 1.77
94	22	22.5	32	32.5	6.5	8	16	8	16	38	36	37	44	40 - 60
	3.70	0.87	1.26	1.28	0.26	0.31	0.63	0.31	0.63	1.50	1.42	1.46	1.73	1.57 - 2.36
84	25	25	25	25	6.5	8	16	8	16	38	36	42	44	45 - 45
	3.31	0.98	0.98	0.98	0.26	0.31	0.63	0.31	0.63	1.50	1.42	1.65	1.73	1.77 - 1.77
99	25	25	32	32.5	6.5	8	16	8	16	38	36	42	44	45 - 60
	3.90	0.98	1.26	1.28	0.26	0.31	0.63	0.31	0.63	1.50	1.42	1.65	1.73	1.77 - 2.36
114	32	32.5	32	32.5	6.5	8	16	8	16	38	36	57	44	60 - 60
	4.49	1.26	1.26	1.28	0.26	0.31	0.63	0.31	0.63	1.50	1.42	2.24	1.73	2.36 - 2.36

Specification

- Body
Plastic
Technopolymer (Polyamide PA)
- Black, matte finish ● **SW**
- Gray, matte finish ● **LG**
- Temperature resistant up to 265 °F (130 °C)
- Pin
Steel, nickel plated
- Safety adjustable lever EN 604.2 (only identification no. 2)
- Plastic
- Technopolymer (Polyamide PA)
- Black, matte finish
- Washer
Steel, zinc plated
- Load Rating Information → page 2095
- Plastic Characteristics → page 2135
- RoHS compliant

Information

EN 159 hinges are suitable for simple installation on standard commercially available T-slot aluminum profile extrusions. They will support the weight of a door by utilizing the provided rectangular positioning elements. These are simply clipped into recesses in the hinge wings. They will fit 8 mm and 10 mm wide slots. For every profile combination s₁ - s₂ the positioning elements in the commercial slot widths b are included. GN 965 / GN 968 T-nut assemblies are used for the assembly on profile rails.

see also...

- Product Family Standard Parts for Profile Systems → page 18
- List of Hinge Types → page 1324
- Double Hinges EN 159.1 (Technopolymer Plastic, for Profile Systems) → page QVX

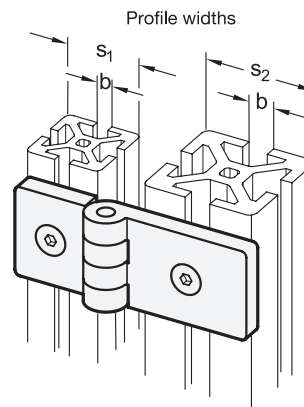
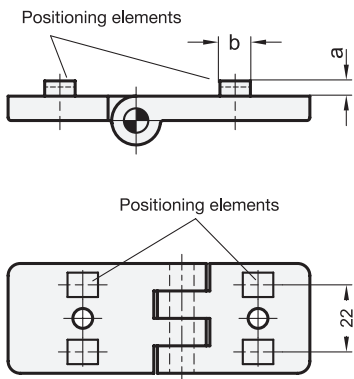
How to order	
1	Width I ₁
2	Bore distance m ₁
3	Bore distance m ₂
4	Color
5	Identification no.

EN 159-84-17-32-SW-1



Positioning elements

Application example



Profile width	b Slot width	a
30 1.18	6 0.24	2 0.08
30 1.18	8 0.31	2 0.08
40 and 45 1.57 / 1.77	8 0.31	4 0.16
40 and 45 1.57 / 1.77	10 0.39	4 0.16
60 2.36	10 0.39	5 0.20
60 2.36	12 0.47	5 0.20

The positioning elements are clipped into the corresponding recesses of the hinge wing.

3.1
3.2
3.3
3.4
3.5
3.6
3.7
3.8
3.9
3.10

