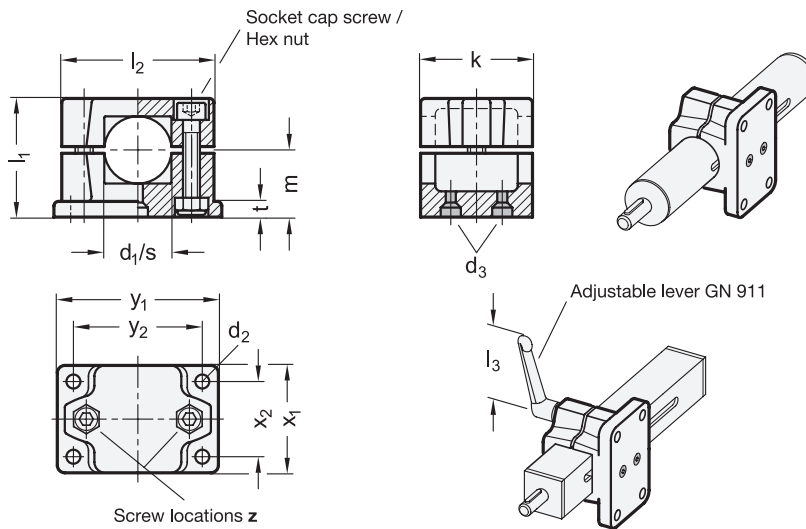


GN 147.1 Flanged Linear Actuator Connectors

Aluminum, Split Assembly, with 4 Mounting Holes



- 2** Identification no.
- 2** With 2 stainless steel socket cap screws DIN 912

Metric table

Dimensions in: millimeters - inches

1 d_1 Bore	1 s Square	d_2	d_3 Mounting screws on the drive key	k Clamping length	l_1	l_2	m	t	x_1	x_2	y_1	y_2	z Screw locations for screw size	Accessory Recommended lever GN 911 for z l_3	
B 30	V 30	6.5 0.26	M 4	50 1.97	53 2.09	68 2.68	30 1.18	7 0.28	50 1.97	35 1.38	75 2.95	60 2.36	M8-40	63 2.48	78 3.07
B 40	V 40	11 0.43	M 5	76 2.99	81.5 3.21	98 3.86	46.5 1.83	14 0.55	76 2.99	50 1.97	115 4.53	90 3.54	M10-65	78 3.07	92 3.62
B 50	V 50	11 0.43	M 6	76 2.99	81.5 3.21	98 3.86	46.5 1.83	14 0.55	76 2.99	50 1.97	115 4.53	90 3.54	M10-65	78 3.07	92 3.62

Specification

- Linear actuator connector
Aluminum
Powder coated
Black, RAL 9005, textured finish **● SW**
- Socket cap screws DIN 912
Stainless steel AISI 304
- Hex nuts DIN 985
Stainless steel AISI 304
Self-locking via polyamide ring
- [Plastic Characteristics](#) → page QVX
- [Stainless Steel Characteristics](#) → page QVX
- [RoHS compliant](#)

Accessory

- Adjustable levers GN 911 → page QVX

On request

- Inch size bores

Information

Flanged linear actuator connectors GN 147.1 are based on flanged connector clamps. The additionally provided mounting holes are used to connect to the drive key of a linear actuator.

With the screw locations z , the play of the guide bore d_1 / s can be adjusted or the linear actuator connectors can be clamped after adjustment.

For quick clamping without tools, the socket cap screws can be replaced by the adjustable levers GN 911 listed in the table as accessories.

see also...

- [Linear Actuators GN 291](#) → page QVX
- [Linear Actuators GN 292](#) → page QVX
- [Linear Actuators GN 293](#) → page QVX
- [Square Linear Actuators GN 291.1](#) → page QVX

How to order

GN 147.1-B50-2-SW

- 1** Bore d_1 , (Square s)
- 2** Identification no.
- 3** Finish

3.1
3.2
3.3
3.4
3.5
3.6
3.7
3.8
3.9
3.10