

2 Type

- B** With rubber stop
- M** With rubber stop, latch in retracted position
- K** With rubber stop, latch in extended position
- Q** With rubber stop, latch in extended and retracted position

3 Identification no.

- 1** Mounting with through holes

Metric table

l ₁	l ₂ ⁺⁴ / ₋₄ Stroke	l ₃	F _s per pair	
			at 10,000 cycles	at 100,000 cycles
300 11.81	298 11.73	586 23.07	2250 N 506 lbf	1575 N 354 lbf
400 15.75	398 15.67	786 30.94	2500 N 562 lbf	1750 N 393 lbf
500 19.69	512 20.16	1000 39.37	2600 N 585 lbf	1800 N 405 lbf
600 23.62	610 24.02	1198 47.17	2750 N 618 lbf	1920 N 432 lbf
700 27.56	708 27.87	1396 54.96	2950 N 663 lbf	2250 N 506 lbf

Specification

- Slide profile
Steel, zinc plated, blue passivated finish **ZB**
- Balls
Rolling bearing steel, hardened
- Ball cage
Plastic
- Latches
Zinc die-cast / plastic
- Rubber stop
Plastic / Elastomer
- Operating temperature -4 °F to +212 °F
(-20 °C to +100 °C)
- RoHS compliant

On request

- Other lengths and hole distances
- Other mounting options
- Other finishes

Information

GN 1440 telescopic slides are installed in pairs. The stroke reaches ≈ 100 % of the nominal length l₁ (full extension). Patented plastic ball cages ensure particularly smooth running of the slide.

Telescopic slides of various types, for example with and without latch, can be combined freely, which is why the GN 1440 is supplied **individually** and **not** in pairs. Thanks to the symmetrical design, all types can be installed on either the left or right side.

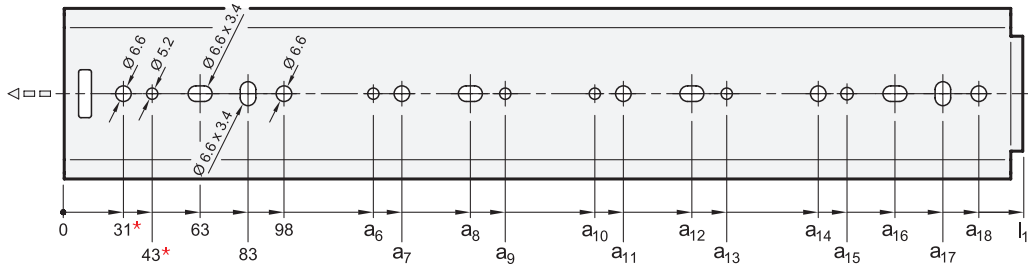
All mounting holes are easy to reach through auxiliary holes. Only the mounting holes are shown, but other production-related holes may be present.

see also...

- [List of Telescopic Slide Types → page 1856](#)
- [Technical Information on Telescopic Slides → page 1901](#)

<p>How to order</p> <p>GN 1440-1500-K-1-ZB</p>	1 Length l ₁
	2 Type
	3 Identification no.
	4 Finish

Mounting holes - Outer slide

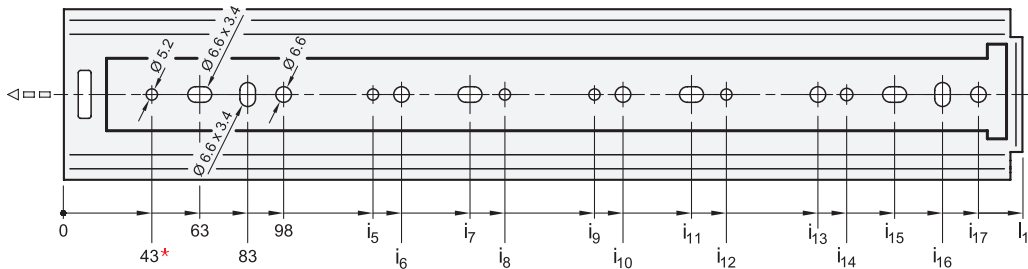


Metric table

Dimensions in: millimeters - inches

l ₁	a ₆	a ₇	a ₈	a ₉	a ₁₀	a ₁₁	a ₁₂	a ₁₃	a ₁₄	a ₁₅	a ₁₆	a ₁₇	a ₁₈
300 11.81	-	-	-	-	-	-	-	-	161 6.34	173 6.81	193 7.60	213 8.39	228 8.98
400 15.75	-	-	-	-	-	-	-	-	261 10.28	273 10.75	293 11.54	313 12.32	328 12.91
500 19.69	-	-	-	-	-	-	-	-	361 14.21	373 14.69	393 15.47	413 16.26	428 16.85
600 23.62	213 8.39	228 8.98	363 14.29	378 14.88	-	-	-	-	461 18.15	473 18.62	493 19.41	513 20.20	528 20.79
700 27.56	213 8.39	228 8.98	363 14.29	378 14.88	-	-	-	-	561 22.09	573 22.56	593 23.35	613 24.13	628 24.72
800 31.50	313 12.32	328 12.91	463 18.23	478 18.82	-	-	-	-	661 26.02	673 26.50	693 27.28	713 28.07	728 28.66
900 35.43	313 12.32	328 12.91	463 18.23	478 18.82	-	-	-	-	761 29.96	773 30.43	793 31.22	813 32.01	828 32.60
1000 39.37	413 16.26	428 16.85	563 22.17	578 22.76	-	-	-	-	861 33.90	873 34.37	893 35.16	913 35.94	928 36.54
1200 47.24	313 12.32	328 12.91	463 18.23	478 18.82	713 28.07	728 28.66	863 33.98	878 34.57	1061 41.77	1073 42.24	1093 43.03	1113 43.82	1128 44.41
1500 59.06	413 16.26	428 16.85	563 22.17	578 22.76	913 35.94	928 36.54	1063 41.85	1078 42.44	1361 53.58	1373 54.06	1393 54.84	1413 55.63	1428 56.22

Mounting holes - Inner slide



Metric table

Dimensions in: millimeters - inches

l ₁	i ₅	i ₆	i ₇	i ₈	i ₉	i ₁₀	i ₁₁	i ₁₂	i ₁₃	i ₁₄	i ₁₅	i ₁₆	i ₁₇
300 11.81	-	-	-	-	-	-	-	-	-	173** 6.81	-	213 8.39	228 8.98
400 15.75	-	161 6.34	-	-	-	-	-	-	261 10.28	273 10.75	293 11.54	313 12.32	328 12.91
500 19.69	-	229 9.02	-	-	-	-	-	-	361 14.21	373 14.69	393 15.47	413 16.26	428 16.85
600 23.62	213 8.39	228 8.98	398 15.67	413 16.26	-	-	-	-	461 18.15	473 18.62	493 19.41	513 20.20	528 20.79
700 27.56	313 12.32	328 12.91	463 18.23	478 18.82	-	-	-	-	561 22.09	573 22.56	593 23.35	613 24.13	628 24.72
800 31.50	313 12.32	328 12.91	498 19.61	513 20.20	-	-	-	-	661 26.02	673 26.50	693 27.28	713 28.07	728 28.66
900 35.43	413 16.26	428 16.85	563 22.17	578 22.76	-	-	-	-	761 29.96	773 30.43	793 31.22	813 32.01	828 32.60
1000 39.37	413 16.26	428 16.85	598 23.54	613 24.13	-	-	-	-	861 33.90	873 34.37	893 35.16	913 35.94	928 36.54
1200 47.24	313 12.32	328 12.91	463 18.23	478 18.82	713 28.07	728 28.66	863 33.98	878 34.57	1061 41.77	1073 42.24	1093 43.03	1113 43.82	1128 44.41
1500 59.06	413 16.26	428 16.85	563 22.17	578 22.76	913 35.94	928 36.54	1063 41.85	1078 42.44	1361 53.58	1373 54.06	1393 54.84	1413 55.63	1428 56.22

* Hole can only be used with type B and type K ** Hole can only be used with type B and type M

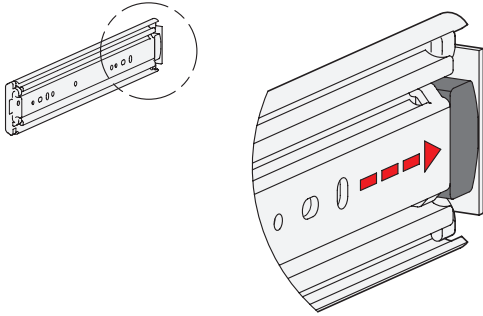
3.1
3.2
3.3
3.4
3.5
3.6
3.7
3.8
3.9
3.10

Mounting screws

For the listed loading forces F_S to be absorbed reliably in the surrounding structure, all available through holes of the outer and inner slide having a \varnothing of 6.6 mm must be used. Alternatively, holes with a \varnothing of 5.2 mm are available. The slotted holes, \varnothing 6.6 x 3.4 mm, facilitate adjustment during mounting. Failure to use mounting screws reduces the load capacity. The following screws can be used for mounting:

Designation - Standard		Outer slide	Inner slide
Socket button head screw	ISO 7380	M 5 / M 6	M 5 / M 6
Low head socket cap screw	DIN 7984 / DIN 6912	M 5	M 5

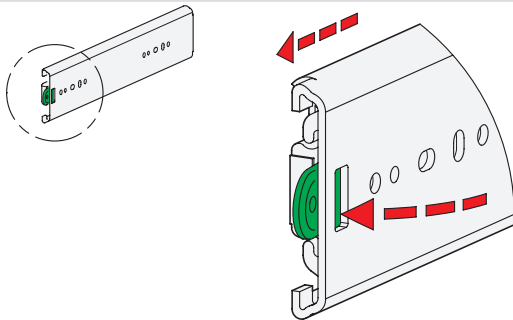
Type B with rubber stop



The rubber stops dampen the impact of the slide in the two end positions. This feature minimizes noise development and increases the service life. Attached to the slides in a partially concealed, partially visible manner, the stops meet each of the requirements in regards to shape, material, and hardness.

If larger static or dynamic loads occur in the direction of extension, they should be absorbed by additional end stops.

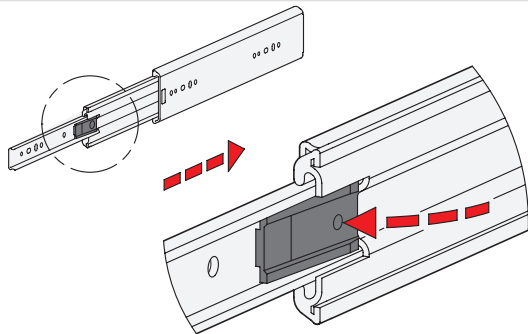
Type M with rubber stop, latch in retracted position



Type M is used in applications where the slide is to be latched in the retracted end position. This feature prevents the slide from extending on its own, for example due to an inclined position. If larger loads occur in the direction of extension in the latched position, they should be absorbed by additional latch elements.

When closed, the latch mechanism locks into place under spring load via a recess on the outer rail. Pressing the release lever releases the inner and middle slide for extension. Back in the retracted position, the mechanism automatically locks into place again via the recess on the outer slides by moving over a ramp.

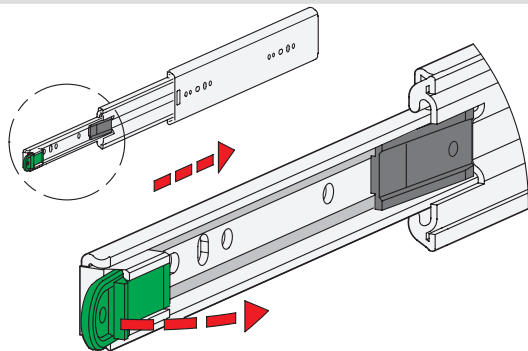
Type K with rubber stop, latch in extended position



Type K is used when the extension is to remain in the extended position for a certain amount of time. This feature allows maintenance work to be performed with the slide being extended, for example. If larger loads occur in the latched position, they should be absorbed by additional latch elements.

For the function to be activated, the slide has to be fully extended to the front, where it will automatically lock into place via a pretensioned latching lever. Pressing the lever releases the slide, allowing the slide to retract again.

Type Q with rubber stop, latch in extended and retracted position



Type Q unites the properties of types M and K. The inner and middle slide lock into place in the two end positions.

Unlike the release of type K, type Q is actuated through an internal rod by a convenient "remote control." To do this, the green release lever is pressed outwards, the latching lever is activated, and the slide is released for retraction.