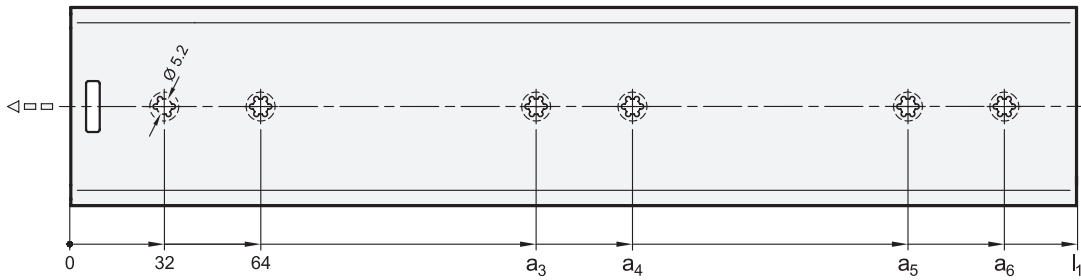


**Mounting holes - Outer slide**



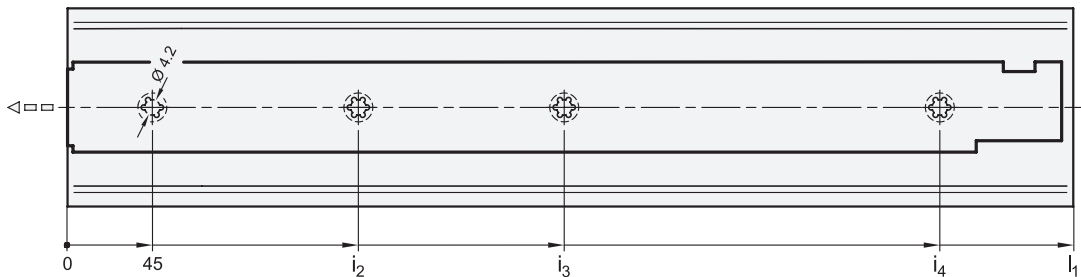
**Metric table**



Dimensions in: millimeters - inches

$l_1$	$a_3$	$a_4$	$a_5$	$a_6$
400 15.75	288 11.34	320 12.60	-	-
450 17.72	288 11.34	320 12.60	-	-
500 19.69	352 13.86	384 15.12	-	-
550 21.65	352 13.86	384 15.12	-	-
600 23.62	448 17.64	480 18.90	-	-
700 27.56	448 17.64	480 18.90	-	-
800 31.50	384 15.12	416 16.38	672 26.46	704 27.72

**Mounting holes - Inner slide**



**Metric table**



Dimensions in: millimeters - inches

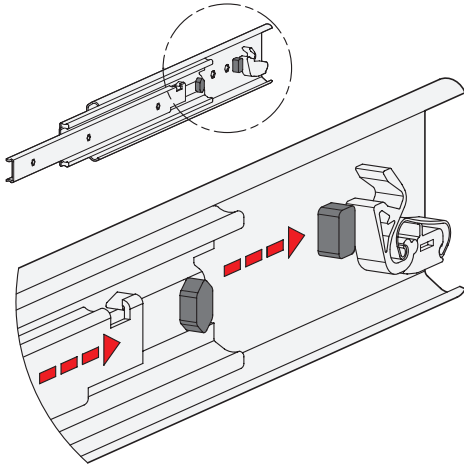
$l_1$	$i_2$	$i_3$	$i_4$
400 15.75	173 6.81	333 13.11	-
450 17.72	205 8.07	397 15.63	-
500 19.69	237 9.33	461 18.15	-
550 21.65	269 10.59	493 19.41	-
600 23.62	173 6.81	301 11.85	557 21.93
700 27.56	173 6.81	333 13.11	653 25.71
800 31.50	205 8.07	397 15.63	749 29.49

### Mounting screws

For the listed loading forces  $F_s$  to be absorbed reliably in the surrounding structure, all available countersunk holes of the outer and inner slide must be used. Failure to use mounting screws reduces the specified load capacity accordingly. The following screws can be used for mounting:

Designation - Standard		Outer slide	Inner slide
Phillips countersunk flat head screw	DIN 965	M 5	M 4
Phillips countersunk flat head self-tapping screw	DIN 7997	Size 5	Size 4 / 4.5

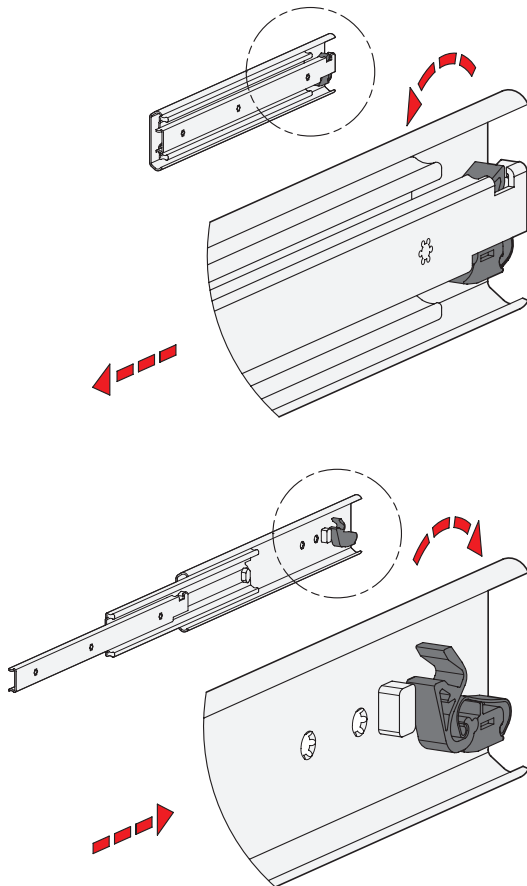
### Rubber stop



The rubber stops dampen the impact of the slide in the two end positions. This feature minimizes noise development and increases the service life. Attached to the slides in a partially concealed, partially visible manner, the stops meet each of the requirements in regards to shape, material, and hardness.

If larger static or dynamic loads occur in the direction of extension, they should be absorbed by additional end stops.

### Self-retracting mechanism



GN 1432 telescopic slides have an integrated self-retracting mechanism, which significantly improves the ease of use when closing the extensions.

By means of the retraction mechanism, the slides are automatically retracted on the last 22 mm of stroke with a force of approximately 30 newtons for each slide pair and held in the retracted end position. This retraction force has to be overcome accordingly when opening the extension.

The self-retracting mechanism is also designed in such a way that it uncouples and will not be damaged when the extension is opened or closed in a jerky manner or too quickly. On the following stroke, the self-retracting mechanism clicks back into place automatically, ensuring that the function remains intact.

3.1  
3.2  
3.3  
3.4  
3.5  
3.6  
3.7  
3.8  
3.9  
3.10

