

- 2 Type**
- F** With rubber stop, locking device in retracted position, detach function
- 3 Identification no.**
- 1** Mounting with through holes

Metric table

1

l_1	$l_2 \begin{smallmatrix} +3 \\ -3 \end{smallmatrix}$ Stroke	l_3	F_s per pair	
			at 10,000 cycles	at 100,000 cycles
250 9.84	250 9.84	500 19.69	450 N 101 lbf	320 N 71.94 lbf
300 11.81	300 11.81	600 23.62	460 N 103 lbf	340 N 76.44 lbf
350 13.78	350 13.78	700 27.56	480 N 108 lbf	360 N 80.93 lbf
400 15.75	400 15.75	800 31.50	510 N 115 lbf	390 N 87.68 lbf
450 17.72	450 17.72	900 35.43	510 N 115 lbf	390 N 87.68 lbf
500 19.69	500 19.69	1000 39.37	480 N 108 lbf	360 N 80.93 lbf

1 Dimensions in: millimeters - inches

l_1	$l_2 \begin{smallmatrix} +3 \\ -3 \end{smallmatrix}$ Stroke	l_3	F_s per pair	
			at 10,000 cycles	at 100,000 cycles
550 21.65	550 21.65	1100 43.31	460 N 103 lbf	340 N 76.44 lbf
600 23.62	600 23.62	1200 47.24	440 N 98.92 lbf	340 N 76.44 lbf
650 25.59	650 25.59	1300 51.18	420 N 94.42 lbf	320 N 71.94 lbf
700 27.56	700 27.56	1400 55.12	420 N 94.42 lbf	320 N 71.94 lbf
750 29.53	750 29.53	1500 59.06	400 N 89.92 lbf	300 N 67.44 lbf
800 31.50	800 31.50	1600 62.99	400 N 89.92 lbf	300 N 67.44 lbf

Specification

- Slide profile
Steel, zinc plated, blue passivated finish **ZB**
- Balls
Rolling bearing steel, hardened
- Ball cage, outer slide
Plastic
- Ball cage, inner slide
Steel, zinc plated
- Rubber stop and detach function
Plastic / Elastomer
- Operating temperature -4 °F to +212 °F
(-20 °C to +100 °C)
- **RoHS compliant**

On request

- Other lengths and hole distances
- Other mounting options
- Other finishes

Information

GN 1410 telescopic slides are installed in pairs. The stroke reaches $\approx 100\%$ of the nominal length l_1 (full extension).

The telescopic slides are delivered in **pairs**. They can be installed on either the left or right side due to the design. All mounting holes are easy to reach through auxiliary holes. Only the mounting holes are shown, but other production-related holes may be present.

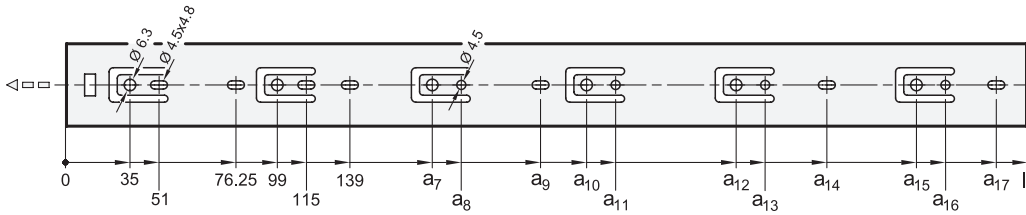
see also...

- [List of Telescopic Slide Types](#) → page 1856
- [Technical Information on Telescopic Slides](#) → page 1901
- [Telescopic Slides GN 1450 \(with Full Extension\)](#) → page 1895
- [Telescopic Slides GN 1412 \(with Self-Retracting Mechanism\)](#) → page 1868

<p>How to order</p> <p>GN 1410-250-F-1-ZB</p>	1 Length l_1
	2 Type
	3 Identification no.
	4 Finish

3.1
3.2
3.3
3.4
3.5
3.6
3.7
3.8
3.9
3.10

Mounting holes - Outer slide

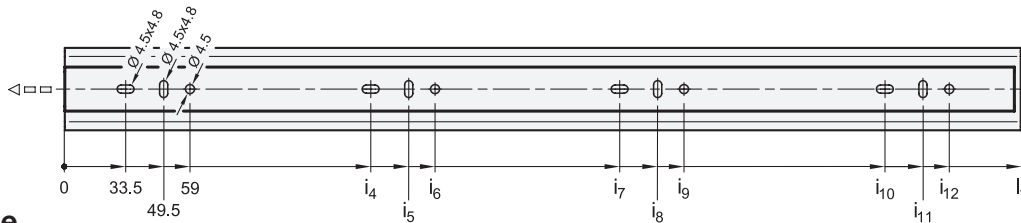


Metric table

Dimensions in: millimeters - inches

l_1	a_7	a_8	a_9	a_{10}	a_{11}	a_{12}	a_{13}	a_{14}	a_{15}	a_{16}	a_{17}
250 9.84	183 7.20	199 7.83	-	-	-	-	-	-	-	-	-
300 11.81	259 10.20	275 10.83	-	-	-	-	-	-	-	-	-
350 13.78	259 10.20	275 10.83	309 12.17	-	-	-	-	-	-	-	-
400 15.75	259 10.20	275 10.83	-	323 12.72	339 13.35	-	-	373 14.69	-	-	-
450 17.72	259 10.20	275 10.83	361.5 14.23	387 15.24	403 15.87	-	-	-	-	-	-
500 19.69	259 10.20	275 10.83	361.5 14.23	387 15.24	403 15.87	451 17.76	467 18.39	-	-	-	-
550 21.65	259 10.20	275 10.83	361.5 14.23	387 15.24	403 15.87	451 17.76	467 18.39	501 19.72	-	-	-
600 23.62	259 10.20	275 10.83	361.5 14.23	387 15.24	403 15.87	515 20.28	531 20.91	565 22.24	-	-	-
650 25.59	259 10.20	275 10.83	361.5 14.23	387 15.24	403 15.87	579 22.80	595 23.43	629 24.76	-	-	-
700 27.56	259 10.20	275 10.83	361.5 14.23	387 15.24	403 15.87	579 22.80	595 23.43	629 24.76	-	-	-
750 29.53	259 10.20	275 10.83	361.5 14.23	387 15.24	403 15.87	547 21.54	563 22.17	597 23.50	643 25.31	659 25.94	693 27.28
800 31.50	259 10.20	275 10.83	361.5 14.23	387 15.24	403 15.87	579 22.80	595 23.43	629 24.76	707 27.83	723 28.46	757 29.80

Mounting holes - Inner slide



Metric table

Dimensions in: millimeters - inches

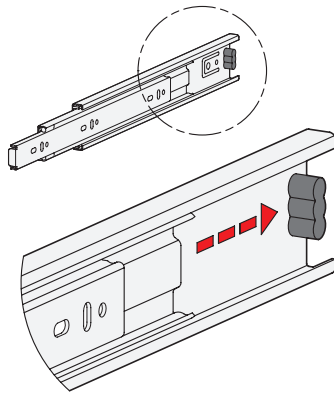
l_1	i_4	i_5	i_6	i_7	i_8	i_9	i_{10}	i_{11}	i_{12}
250 9.84	209.5 8.25	225.5 8.88	235 9.25	-	-	-	-	-	-
300 11.81	129.5 5.10	145.5 5.73	155 6.10	257.5 10.14	273.5 10.77	283 11.14	-	-	-
350 13.78	161.5 6.36	177.5 6.99	187 7.36	289.5 11.40	305.5 12.03	315 12.40	-	-	-
400 15.75	193.5 7.62	209.5 8.25	219 8.62	353.5 13.92	369.5 14.55	379 14.92	-	-	-
450 17.72	193.5 7.62	209.5 8.25	219 8.62	385.5 15.18	401.5 15.81	411 16.18	-	-	-
500 19.69	225.5 8.88	241.5 9.51	251 9.88	449.5 17.70	465.5 18.33	475 18.70	-	-	-
550 21.65	257.5 10.14	273.5 10.77	283 11.14	481.5 18.96	497.5 19.59	507 19.96	-	-	-
600 23.62	289.5 11.40	305.5 12.03	315 12.40	545.5 21.48	561.5 22.11	571 22.48	-	-	-
650 25.59	321.5 12.66	337.5 13.29	347 13.66	609.5 24.00	625.5 24.63	635 25.00	-	-	-
700 27.56	321.5 12.66	337.5 13.29	347 13.66	609.5 24.00	625.5 24.63	635 25.00	-	-	-
750 29.53	193.5 7.62	209.5 8.25	219 8.62	321.5 12.66	337.5 13.29	347 13.66	673.5 26.52	689.5 27.15	699 27.52
800 31.50	193.5 7.62	209.5 8.25	219 8.62	353.5 13.92	369.5 14.55	379 14.92	705.5 27.78	721.5 28.41	731 28.78

Mounting screws

For the listed loading forces F_S to be absorbed reliably in the surrounding structure, all available through holes of the outer and inner slide having a \varnothing of 4.5 mm must be used. Alternatively, the outer slide has holes with a \varnothing of 6.3 mm for metric screws. The slotted holes, \varnothing 4.5 x 4.8 mm, are also used for mounting and facilitate adjustment. Failure to use mounting screws reduces the specified load capacity accordingly. The following screws can be used for mounting:

Designation - Standard		Outer slide	Inner slide
Socket button head screw	ISO 7380	M 4	M 4
Phillips pan head screw	ISO 7045	M 4	M 4
Phillips pan head self-tapping screw	ISO 7049	ST 3.9 / 4.2	ST 3.9 / 4.2

Rubber stop, locking device in retracted position

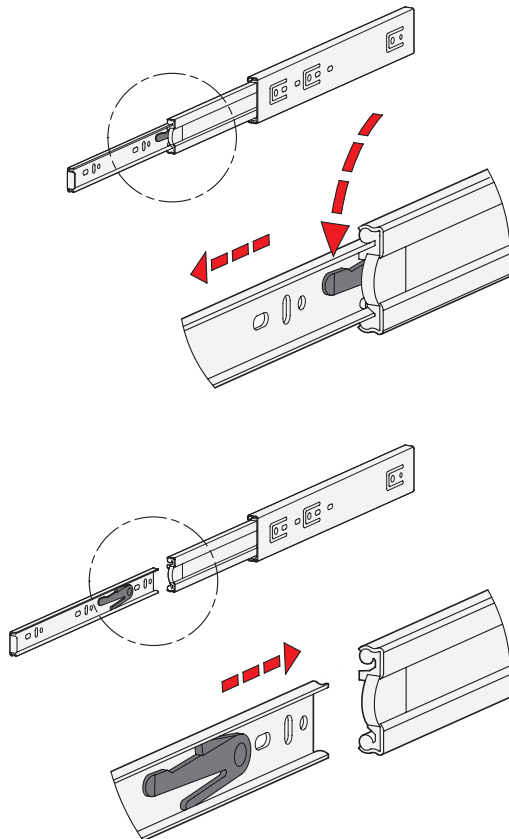


The rubber stops dampen the impact of the slide in the two end positions. This feature minimizes noise development and increases the service life. Attached to the slides in a partially concealed, partially visible manner, the stops meet each of the requirements in regards to shape, material, and hardness.

In the retracted end position, the rubber stop additionally takes on a locking function, which is noticeable through a slight resistance on opening and closing.

If larger static or dynamic loads occur in the direction of extension, they should be absorbed by additional end stops.

Detach function



The detach function allows the extension to be completely separated from one another in the area of the middle and inner slide. This feature not only facilitates mounting, it also allows the extension to be quickly removed, for example when frequent maintenance work is performed on the components located behind.

The telescopic slide can be quickly and easily detached in the extended position through activation of the release lever, allowing the inner slide to be removed from the front.

For re-attaching the slides, the ball cages need to be moved to the extended end position. Then the inner slide is inserted to the retracted end position where it locks into place automatically.

The protected arrangement of the release mechanism prevents accidental detachment of the slide.