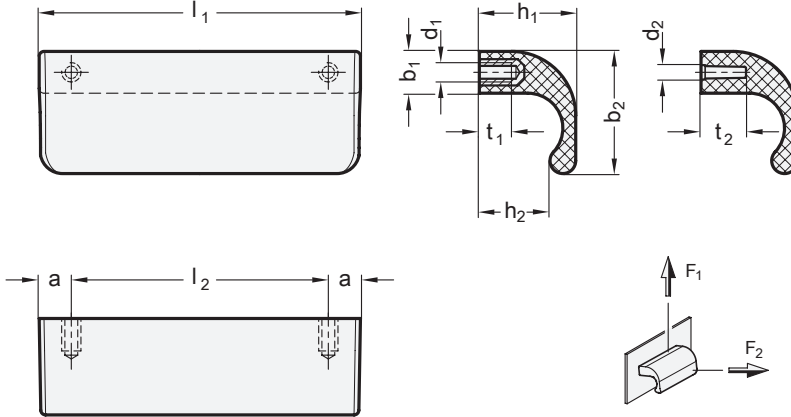


Metric



elesa
Original design MSP.

Metric table

Dimensions in: millimeters / inches

1 l_1	2 d_1 Thread	2 d_2 Bore	a	b_1	b_2	h_1	h_2	$l_2 \pm 0.5$	t_1	t_2	Dimensions in: millimeters / inches			
											F_1		F_2	
											M 6	B 4.5	M 6	B 4.5
100 3.94	M 6	B 4.5	10 0.39	13 0.51	38 1.50	30 1.18	21 0.83	80 3.15	10 0.39	14 0.55	3000 N 674 lbf	700 N 157 lbf	1900 N 427 lbf	900 N 202 lbf

Specification

Handle

Plastic, Polyamide (PA)

- Glass fiber reinforced
- Operating temperature -22 °F to +212 °F (-30 °C to +100 °C)
- Black-gray, RAL 7021, matte finish ● SG

Tapped inserts

Brass

RoHS

Ledge handles EN 130 with bore hole B 4.5 are intended for mounting with self-tapping screws of thread size ST 4.8 such as DIN ISO 7049 pan head self-tapping screw.

The forces F_1 and F_2 given in the table are failure loads, which means that the appropriate safety factor must be taken into account. No liability is otherwise accepted for the reference values given. They do not constitute a warranty of quality. The user must determine from case to case whether the handle strip is suitable for the intended purpose. Ambient factors and aging processes may influence the given values.

see also...

	Page
GN 730 Ledge Handles (Aluminum)	QVX
GN 430 Ledge Handles (Aluminum)	QVX

Technical Information

Strength Values	QVX
Plastic Characteristics	QVX

How to order

EN 130-100-B4.5-SG

1	Length l_1
2	Bore d_2 (Thread d_1)
3	Color

1.1
1.2
1.3
1.4
2.1
2.2
2.3
2.4

