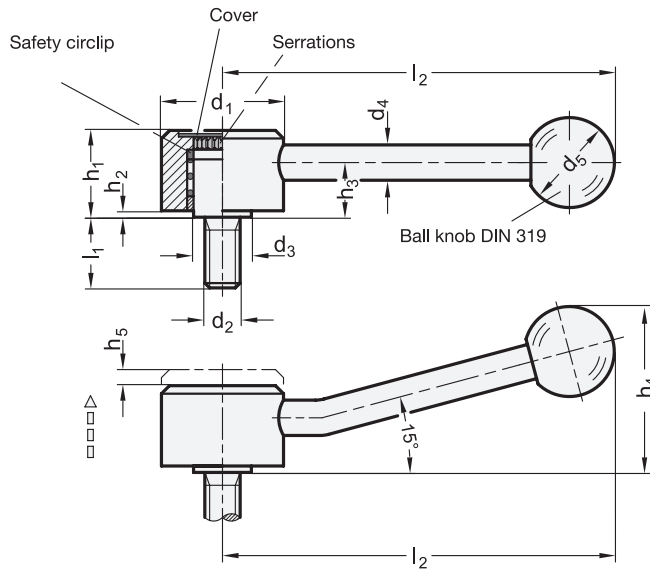


# GN 125.5 Flat Adjustable Tension Levers

Stainless Steel, Threaded Stud Type



**SS** Stainless Steel

**4 Type**

- D Straight lever
- E Angled lever

## Inch table

Dimensions in: inches - millimeters

d <sub>1</sub>	d <sub>2</sub>	l <sub>1</sub>			d <sub>3</sub>	d <sub>4</sub>	d <sub>5</sub>	h <sub>1</sub>	h <sub>2</sub>	h <sub>3</sub>	h <sub>4</sub> ≈	h <sub>5</sub> Stroke	l <sub>2</sub>				
1.26 32	5/16 x 18	0.47 12	0.63 16	0.79 20	0.98 25	1.26 32	1.57 40	1.97 50	0.53 13.5	0.31 8	0.79 20	0.81 20.5	0.06 1.5	0.49 12.5	1.42 36	0.16 4	3.94 100
1.42 36	3/8 x 16	0.63 16	0.79 20	0.98 25	1.26 32	1.57 40	1.97 50	2.48 63	0.63 16	0.39 10	0.98 25	0.96 24.5	0.08 2	0.59 15	1.77 45	0.18 4.5	4.72 120
1.57 40	1/2 x 13	0.98 25	1.26 32	1.57 40	1.97 50	2.48 63	-	-	0.75 19	0.47 12	1.18 30	1.18 30	0.16 4	0.75 19	2.09 53	0.18 4.5	5.12 130
1.77 45	5/8 x 11	1.26 32	1.57 40	1.97 50	2.48 63	-	-	-	0.91 23	0.47 12	1.26 32	1.40 35.5	0.16 4	0.94 24	2.52 64	0.20 5	5.71 145

## Metric table

Dimensions in: millimeters - inches

d <sub>1</sub>	d <sub>2</sub>	l <sub>1</sub>			d <sub>3</sub>	d <sub>4</sub>	d <sub>5</sub>	h <sub>1</sub>	h <sub>2</sub>	h <sub>3</sub>	h <sub>4</sub> ≈	h <sub>5</sub> Stroke	l <sub>2</sub>					
32 1.26	M 8	12 0.47	16 0.63	20 0.79	25 0.98	32 1.26	40 1.57	50 1.97	-	13.5 0.53	8 0.31	20 0.79	20.5 0.81	1.5 0.06	12.5 0.49	36 1.42	4 0.16	100 3.94
36 1.42	M 10	16 0.63	20 0.79	25 0.98	32 1.26	40 1.57	50 1.97	63 2.48	80 3.15	16 0.63	10 0.39	25 0.98	24.5 0.96	2 0.08	15 0.59	45 1.77	4.5 0.18	120 4.72
40 1.57	M 12	25 0.98	32 1.26	40 1.57	50 1.97	63 2.48	80 3.15	-	19 0.75	12 0.47	30 1.18	30 1.18	0.16 0.16	19 0.75	53 2.09	4.5 0.18	130 5.12	
45 1.77	M 16	32 1.26	40 1.57	50 1.97	63 2.48	80 3.15	-	-	23 0.91	12 0.47	32 1.26	35.5 1.40	4 0.16	24 0.94	64 2.52	5 0.20	145 5.71	

## Specification

- Body / lever / insert  
Stainless steel AISI 303  
Matte shot-blasted finish
- Cover  
Plastic, light gray
- Ball knob DIN 319 → page 55  
Plastic  
Duroplast (Phenolic PF)  
Black, shiny finish
- Safety circlip  
Plastic (Polyacetal POM)
- *Plastic Characteristics* → page 2135
- *Stainless Steel Characteristics* → page 2143
- **RoHS compliant**

## On request

- Special stud lengths

## Information

With the GN 125.5 flat adjustable tension levers, the overall height is reduced to a minimum. The cover disk gives these levers a nice appearance.

As all other adjustable levers, they are ideal wherever parts have to be clamped in a confined space or in a particular lever position. The threaded insert is connected with the hub via serrations that can be disengaged.

Pulling the lever upwards disengages the serrations, allowing it to be swiveled to the ideal clamping position. When releasing the lever, the serrations automatically re-engage.

<b>How to order (Inch)</b>		1 Diameter d <sub>1</sub>
		2 Thread d <sub>2</sub>
<b>GN 125.5-32-5/16X18-12-D</b>		3 Thread length l <sub>1</sub>
		4 Type

<b>How to order (Metric)</b>		1 Diameter d <sub>1</sub>
		2 Thread d <sub>2</sub>
<b>GN 125.5-40-M12-32-E</b>		3 Thread length l <sub>1</sub>
		4 Type