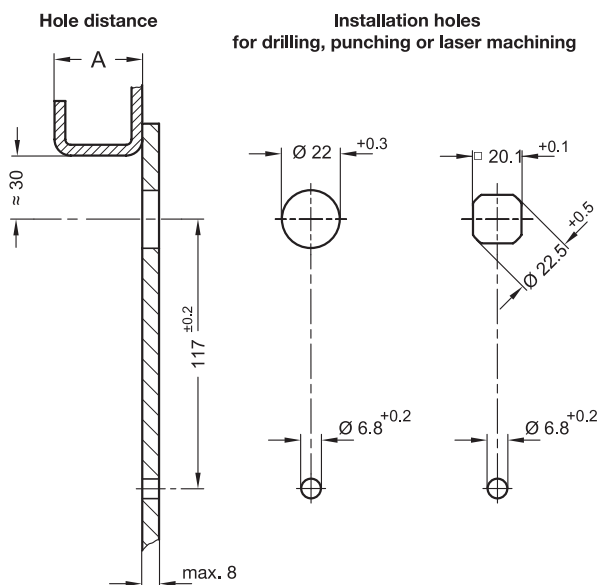
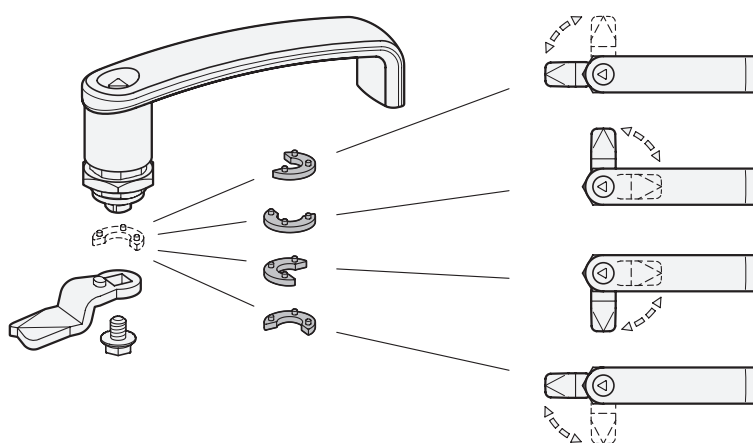


Construction and assembly instructions

Depending on the installation application, the 90° rotary movement range of the latch arm can be defined by means of a plug-type element that can be mounted in 4 different positions.

This allows the cam latch with cabinet U-handle to be used in any attachment position regardless of the turning and latching direction or of the narrow side of the door. Subsequent repositioning of the 90° rotary range is possible, if necessary.

The possible plugging options and the resulting 90° rotary ranges are shown in the outline drawing.



For installation, the door, cover or hatch is fitted with two holes according to one of the two outline drawings.

If preassembled (cabinet U-handle including latch arm), the latch can be inserted through the hole from the front. The mounting nut can then be pushed over the latch from the back and bolted in place. The second end of the cabinet U-handle is secured with an M6 mounting screw (not included). Finally, both elements are tightened.

The required installation holes in the door leaf, is usually generated by punching or laser machining in series production.

3.1
3.2
3.3
3.4
3.5
3.6
3.7
3.8
3.9
3.10

