

- 1 Type**
- DK** With triangular spindle
 - VK7** With square spindle
 - VK8** With square spindle
 - SCH** With slot
 - VDE** With double bit

Metric table

Dimensions in: millimeters - inches

Latch arm distance A																					
4	6	8	10	13	14	16	18	20	22	24	26	28	30	32	34	36	38	40	42	45	50
0.16	0.24	0.31	0.39	0.51	0.55	0.63	0.71	0.79	0.87	0.94	1.02	1.10	1.18	1.26	1.34	1.42	1.50	1.57	1.65	1.77	1.97

Specification

- Cabinet U-handle
Zinc die-cast, powder coated
Black, RAL 9005, textured finish **● SW**
Silver, RAL 9006, textured finish **● SR**
- Latch arm / assembly hardware
Steel, zinc plated, blue passivated finish
- **RoHS compliant**

Accessory

- Socket keys GN 119.2 → page 1310
- Protective guide plates GN 120.2 → page XYZ
- Internal cabinet handles GN 120.3 → page XYZ

Information

GN 115.7 cam latches are used when the application requires both a latching mechanism and a handle. They lock by a turning operation limited to 90° which moves the latch arm in the locked position behind the door frame. The bevels of the latch arm ease the closing of the door.

Latch arms are available with different bend angles to cover a latch arm distance A from 4 to 50 mm. Product comes supplied with a loosely enclosed latch arm.

The cabinet U-handle with integrated latch arm is an attractively designed and cost-effective solution.

see also...

- *List of Cam Latch / Cam Lock Types* → page 1256
- *Door Cam Latches GN 119.3 (with Cabinet U-Handle)* → page 1296
- *Cam Latches GN 115.10 (with Gripping Tray)* → page 1276

How to order

GN 115.7-SCH-20-SR

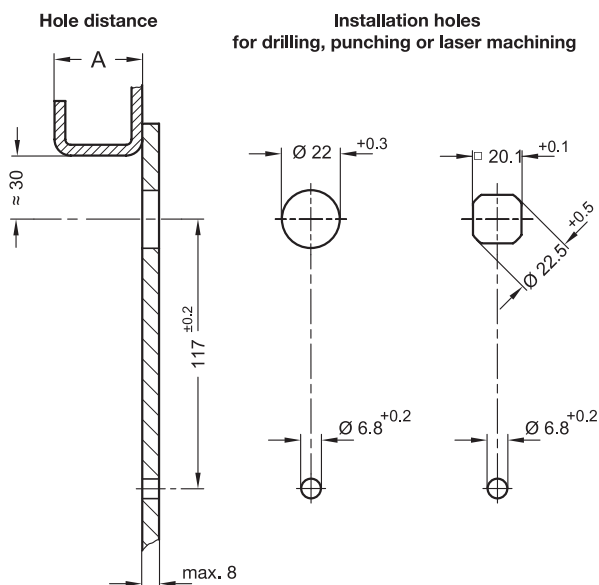
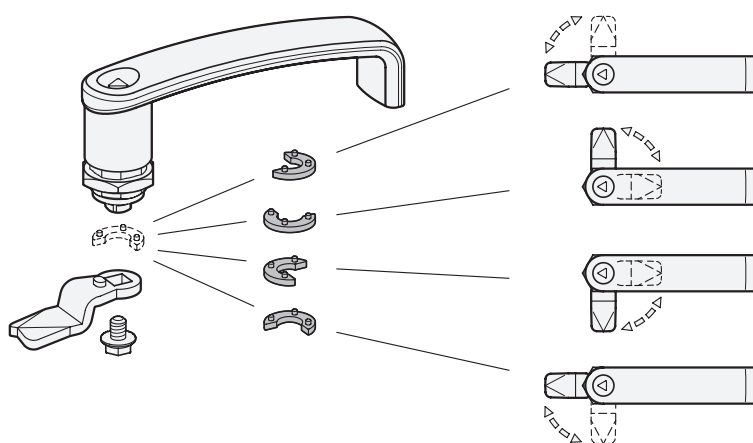
- 1** Type
- 2** Latch arm distance A
- 3** Color

Construction and assembly instructions

Depending on the installation application, the 90° rotary movement range of the latch arm can be defined by means of a plug-type element that can be mounted in 4 different positions.

This allows the cam latch with cabinet U-handle to be used in any attachment position regardless of the turning and latching direction or of the narrow side of the door. Subsequent repositioning of the 90° rotary range is possible, if necessary.

The possible plugging options and the resulting 90° rotary ranges are shown in the outline drawing.



For installation, the door, cover or hatch is fitted with two holes according to one of the two outline drawings.

If preassembled (cabinet U-handle including latch arm), the latch can be inserted through the hole from the front. The mounting nut can then be pushed over the latch from the back and bolted in place. The second end of the cabinet U-handle is secured with an M6 mounting screw (not included). Finally, both elements are tightened.

The required installation holes in the door leaf, is usually generated by punching or laser machining in series production.

