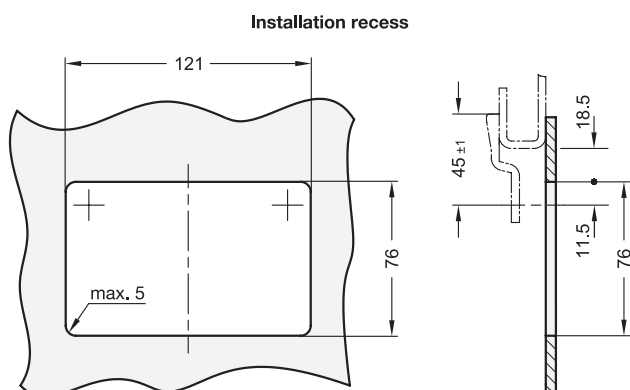
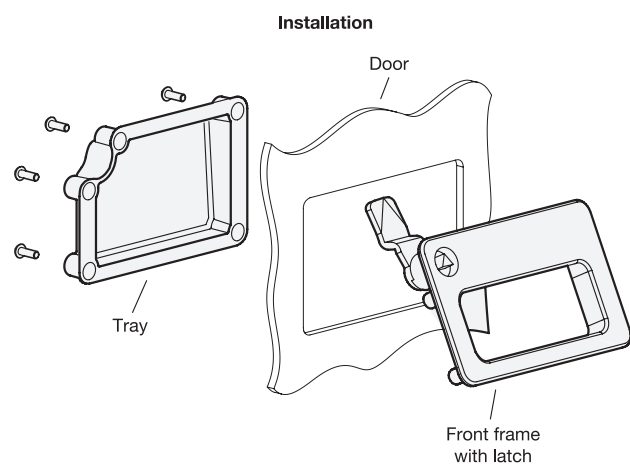


**Construction and assembly instructions**



For installation, set a recess in the door, cover or hatch as shown in the outline drawing.

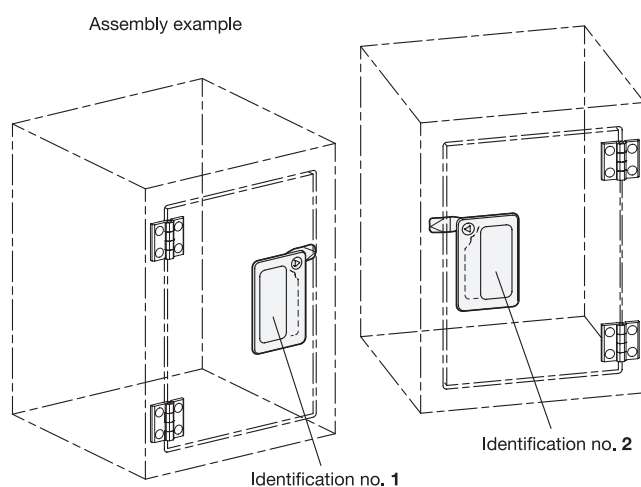
Depending on the position of the cam latch, the 18.5 mm edge spacing between the frame and the hole must be verified sideways and / or from top to bottom, to make sure that the latch arm is positioned behind the frame.



For assembly, insert the pre-assembled cam latch, on the front frame, through the front of the hole in the door, by tilting.

Place the plastic tray from the back onto the threaded bore pegs on the front frame.

The included M4x12 fillister head screws are then threaded in from the back and tightened to secure the whole unit in place. Then minimum screw-in depth of the screw is guaranteed with a maximum door wall thickness of 7 mm.



3.1  
3.2  
3.3  
3.4  
3.5  
3.6  
3.7  
3.8  
3.9  
3.10

