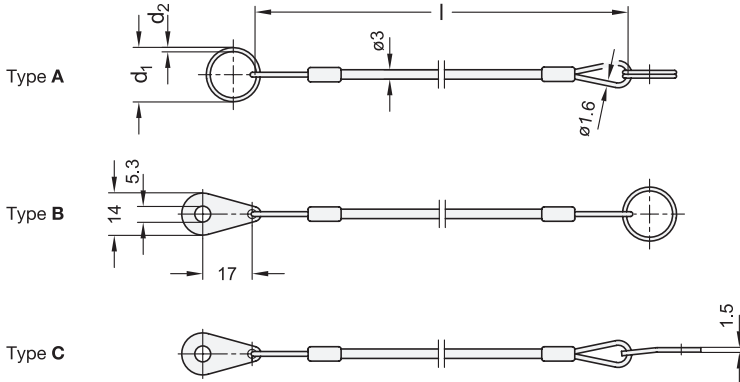


Metric



SS Stainless Steel

3 Type

- A** With 2 key rings
- B** With 1 mounting tab and 1 key ring
- C** With 2 mounting tabs

Metric table

Length l			d ₁	d ₂	Static load ≈	
					with key ring	without key ring
150 5.91	200 7.87	320 12.60	14 0.55	1 0.04	75 N 16.86 lbf	1500 N 337 lbf
150 5.91	200 7.87	320 12.60	18 0.71	1.3 0.05	125 N 28.10 lbf	1500 N 337 lbf
150 5.91	200 7.87	320 12.60	24 0.94	1.5 0.06	140 N 31.47 lbf	1500 N 337 lbf

Specification

Retaining cable

Stainless steel AISI 316
Coated with plastic (PVC)
Transparent

TR

Mounting tab

Stainless steel AISI 316
Plain finish

Key ring

Stainless steel AISI 316Ti
Plain, tumbled finish

Press sleeves

Stainless steel AISI 316

RoHS

Retaining cables GN 111.8 are available in 3 different types and can therefore be used in a wide range of applications, e.g. for loss protection or as connecting and fastening cables.

Due to the selection of materials, the retaining cables are suitable for use in highly corrosive environments.

On delivery the key rings are already mounted on the retaining cable. With type A, both rings have the same diameter d₁.

The alignment of the cable eyelets and mounting tabs may deviate from the drawing. The load values given in the table are non-binding guide values and rule out any liability.

see also...

GN 111.2 Retaining Cables (Stainless Steel)

Page

QVX

Technical Information

Stainless Steel Characteristics

QVX

How to order (Type C)

GN 111.8-150-C-TR

- 1 Length l
- 3 Type
- 4 Color

How to order (Type A and B)

GN 111.8-150-18-A-TR

- 1 Length l
- 2 Diameter d₁
- 3 Type
- 4 Color

3.1
3.2
3.3
3.4
3.5
3.6
3.7
3.8
3.9
3.10