
Function

Fixed firmly to the housing or the operating element, the pointer shaft with the red pointer is mounted at the center of the position indicator. This pointer therefore shows the revolution of the spindle at a ratio of 1 to 1, at the same time turning in the same direction as the spindle.

The pointer shaft holds a planetary pinion gear whose second central wheel is fixed in place via a machine-side bracket. The planetary pinion gear ensures that both the scale and the register remain in the resting position (for details, see EN 000.9). → *page 366*

The rotary motion of the operating element is transferred to the register via a reduction gear. Together with the pointer, any position (rotary position) of the spindle can now be read with accuracy.

Use

Position indicators with positive drive are used for attaching to a vertical spindle or a spindle inclined by 60°. Also, the scale will not oscillate when exposed to external vibrations.

As the mechanical measurement system is relatively complex and requires a machine-side support, cost reasons limit the use of this position indicator to the above special applications.

Selecting the reduction

While the red pointer shows the rotary motion of the spindle of a ratio of 1 to 1, the register shows a numerical value matching the axial adjustment of the spindle as factor of the thread pitch.

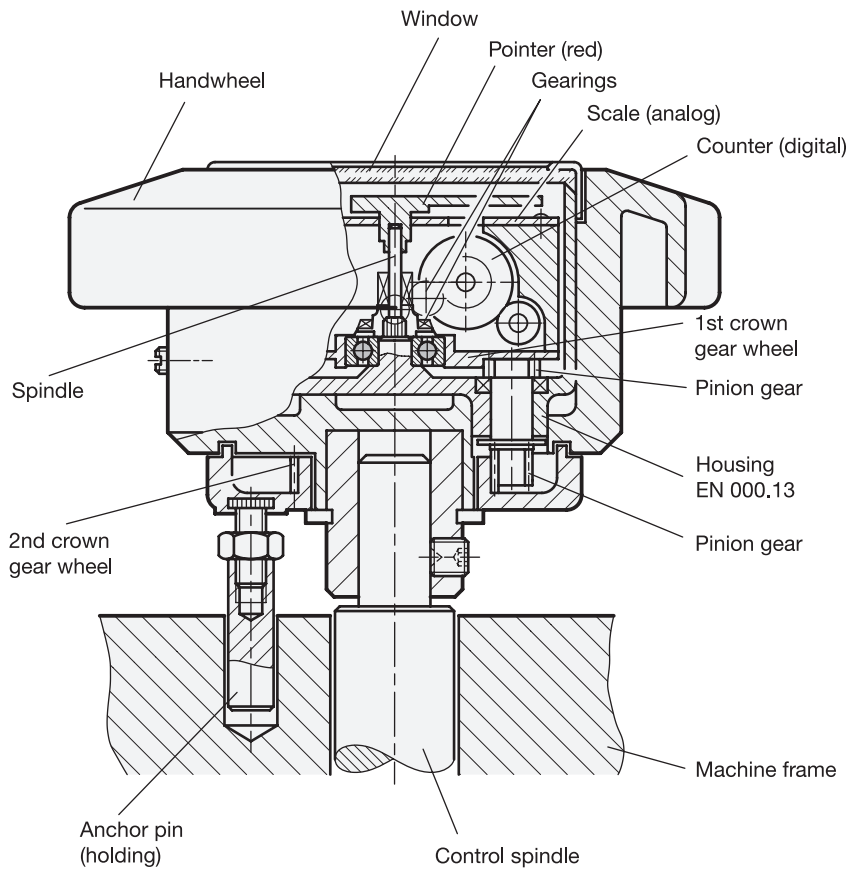
The parameter of the register is the display value after one revolution starting from the zero position.

The register is available with increasing numerical value by right turn (clockwise) or left turn (counter-clockwise).

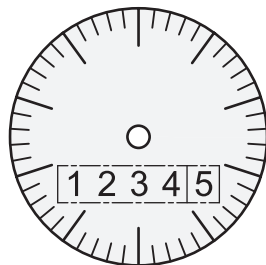
Scale

The standard scale has 50 graduation marks without numbers.

Special scales on request.



Standard scale



1.1
1.2
1.3
1.4
2.1
2.2
2.3
2.4

